

Coverage IR

An intense infrared supercontinuum laser source

Key Features:

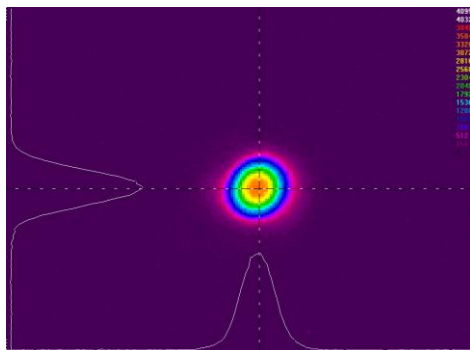
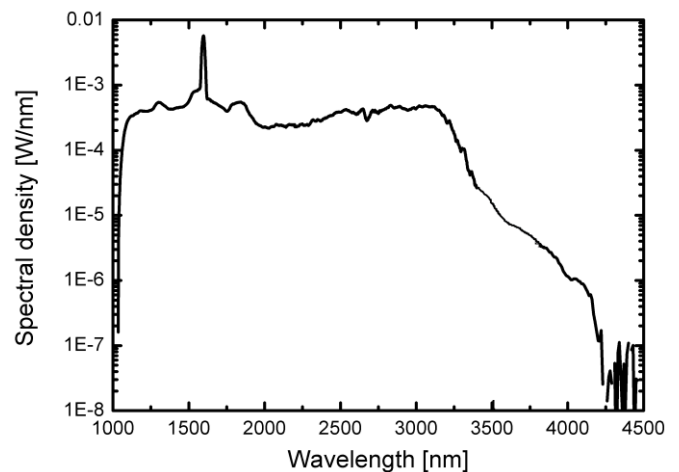
- Large bandwidth in the mid-infrared
- High output power up to 1W
- Very high brightness (TEM₀₀)
- All fiber integrated



ALPhANOV is proud to offer the only high-brightness mid-infrared supercontinuum laser source commercially available.

The **Coverage IR** features unprecedented spectral coverage ranging from 1 μm to 4 μm with turn-key operation and a rugged design.

Our Fiber laser based technology provides a diffraction-limited beam (TEM₀₀) allowing easy beam collimation and beam focusing. Technical specifications allow integration of the source in a wide variety of applications such as medical imaging, hyperspectral imaging or micro-spectroscopy.



Key Applications:

- R&D applications
- Hyperspectral imaging
- FTIR light source
- Micro-spectroscopy
- Medical
- Defense

Kokyo

住所：京都市下京区烏丸通四条下ル水銀屋町637番地第5長谷ビル2階

HP: <http://www.symphotony.com> Email: info@symphotony.com

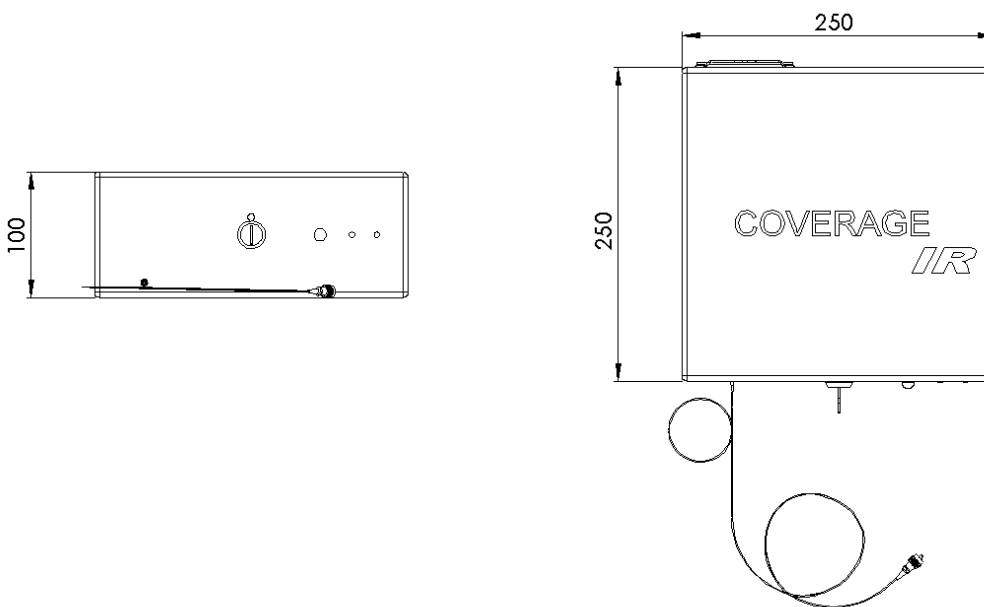
株式会社光響

TEL: 070-6582-2430

FAX: 075-320-1604

Technical Specifications

Product Code	Coverage IR-001
Optical specifications	
Operating wavelength (-30 dB)	1000-4000 nm
Output power	1 W
Spatial beam quality	TEM ₀₀ Gaussian mode
Output fiber core diam.	10 μm
Output fiber NA	NA=0.20
Pulse width	3 ns
Repetition rate	300 kHz – 2 MHz
Power stability	<+/-2%
Output	Free-space or collimated
Mechanical specifications	
Length x Width x Height	250 x 250 x 100 mm
Weight	< 10 kg



Custom options

- Wavelength selection by AOTF technique
- Multi-wavelength collimator for free-space output
- Other custom options available upon request



LASER RADIATION
AVOID EYE OR SKIN EXPOSURE TO
DIRECT OR SCATTERED RADIATION
CLASS 4 LASER PRODUCT

Information contained herein is deemed to be reliable and accurate. No responsibility is assumed for its use, nor for any infringement on the rights of the others. ALPhANOV reserves the right to change the design and specification of the products at any time without notice.