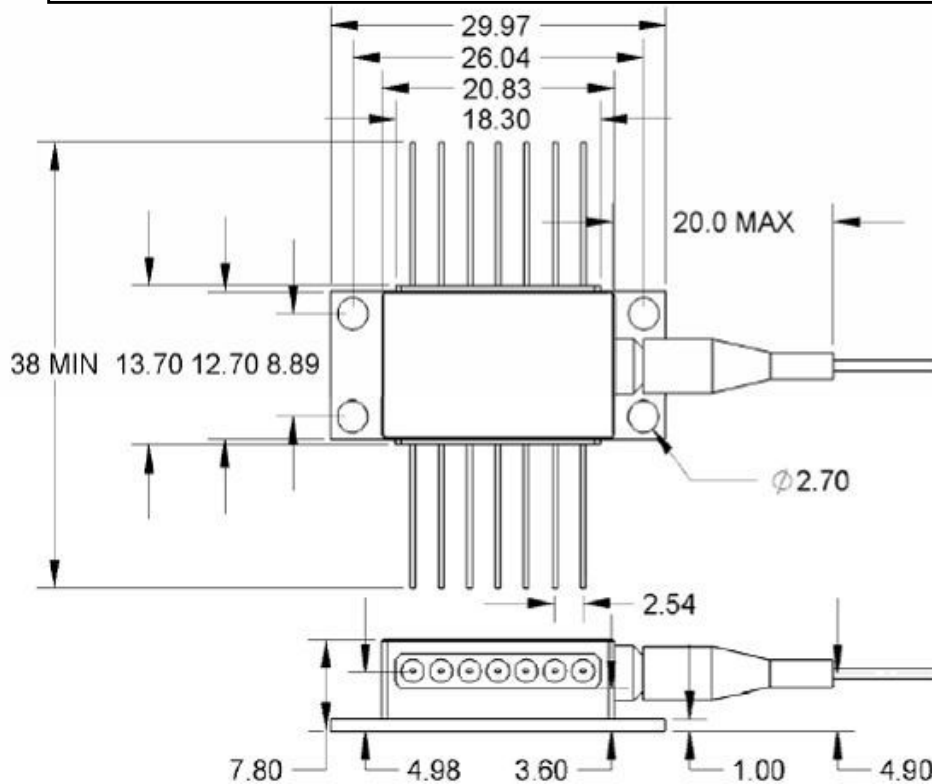
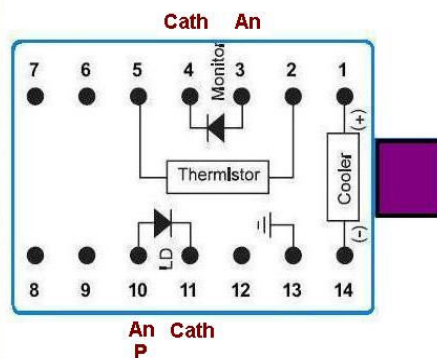


**14 Pin Butterfly Package (BF)**

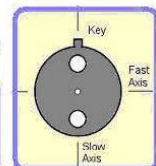
Fiber length = 0.5 meters minimum



1	Cooler (+)
2	Thermistor
3	Monitor PD anode
4	Monitor PD cathode
5	Thermistor
6	N/C
7	N/C
8	N/C
9	N/C
10	Laser anode <b>P</b>
11	Laser cathode
12	N/C
13	Case ground
14	Cooler (-)



Connector Type = FC/APC  
 Connector Key = Reduced Narrow  
 Polarization = Slow Axis



Fiber Type = PM Panda Fiber  
 Mode Field Dia = 6.6 microns  
 Fiber Wavelength = 980 nm  
 Fiber Jacket = 900 micron Loose-Tube