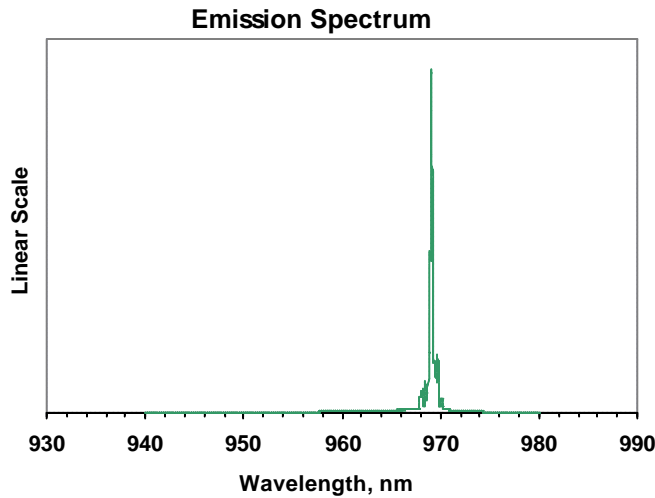
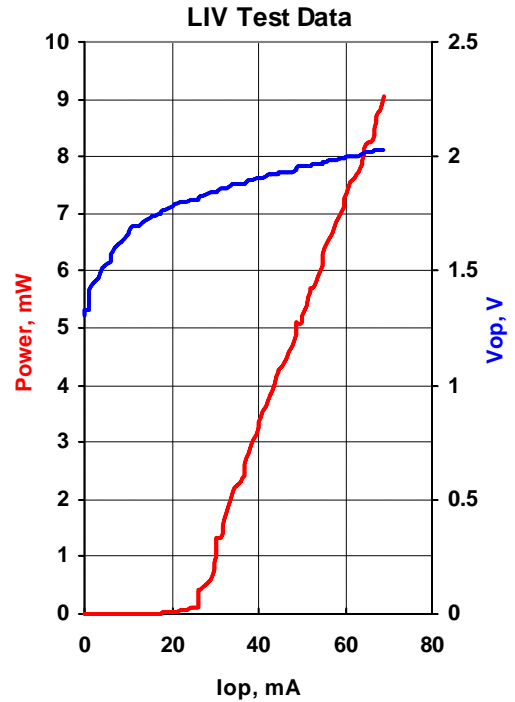




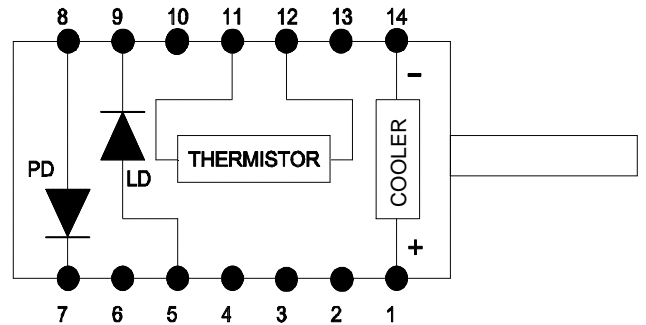
<b>MODEL</b>	QFLD-950-5S
<b>PART NUMBER</b>	SAMPLE

Parameter	Value	Units
Internal Temperature	25	°C
Thermistor Resistance	10.0	k?
Optical Output Power	5.1	mW
Threshold Current	25	mA
Operating Current	49	mA
<b>Maximum Operating Current</b>	<b>54</b>	<b>mA</b>
Operating Voltage	1.95	V
Monitor Current	0.53	mA
Center Wavelength	969	nm
Spectral Width	1.06	nm



<b>Fiber Type</b>	HI780
<b>NA</b>	0.14
<b>Connector</b>	FC/PC

Pin	Connection
1	TE Cooler (+)
5	LD Anode (+)
7	PD Cathode (+)
8	PD Anode (-)
9	LD Cathode (-)
11	Thermistor
12	Thermistor
14	TE Cooler (-)



<b>Operator</b>	
<b>Date</b>	