



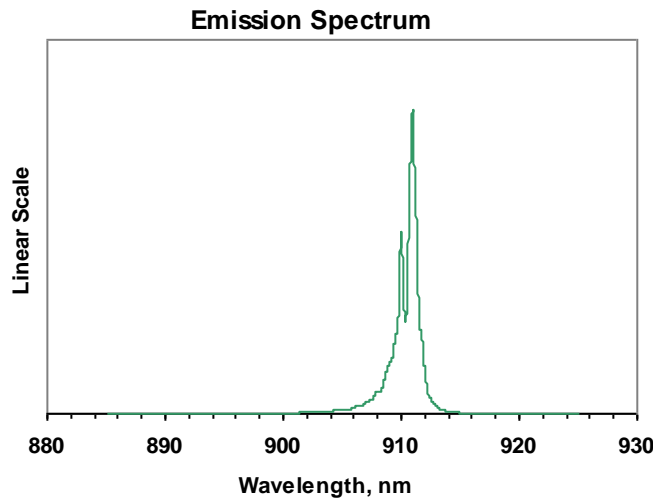
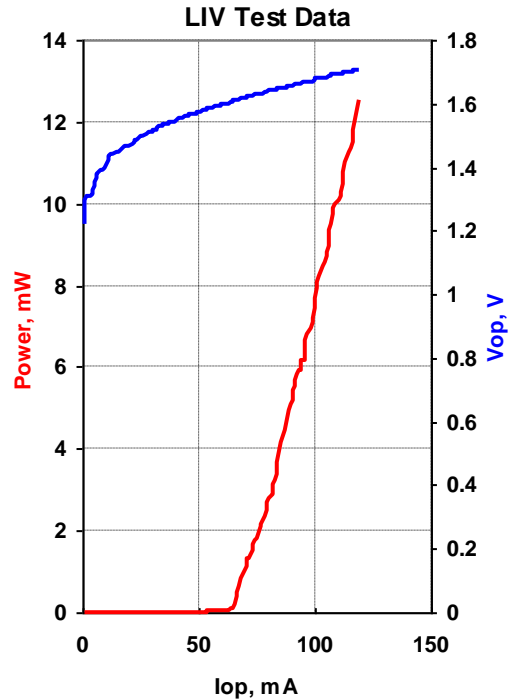
## QPHOTONICS, LLC

3830 Packard Road,  
 Suite 170,  
 Ann Arbor, MI 48108,  
 USA

Phone: 734-477-0133  
 Fax: 734-477-0166  
 Email: info@qphotonics.com  
 http://www.qphotonics.com

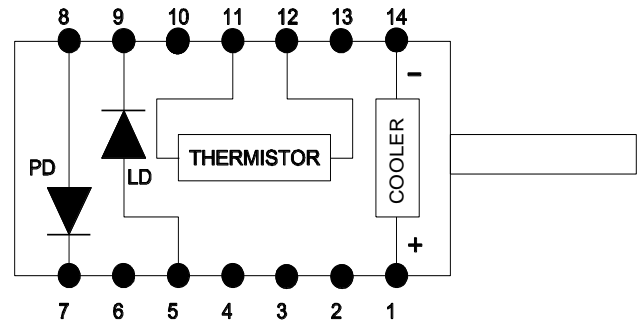
<b>MODEL</b>	QFLD-905-10S
<b>PART NUMBER</b>	SAMPLE

Parameter	Value	Units
Internal Temperature	25	°C
Thermistor Resistance	10.0	kΩ
Optical Output Power	10.1	mW
Threshold Current	66	mA
Operating Current	109	mA
<b>Maximum Operating Current</b>	<b>120</b>	<b>mA</b>
Operating Voltage	1.69	V
Monitor Current	0.12	mA
Center Wavelength	911	nm
Spectral Width	2.67	nm



<b>Fiber Type</b>	HI780
<b>NA</b>	0.14
<b>Connector</b>	sample

Pin	Connection
1	TE Cooler (+)
5	LD Anode (+)
7	PD Cathode (+)
8	PD Anode (-)
9	LD Cathode (-)
11	Thermistor
12	Thermistor
14	TE Cooler (-)



**BOTTOM VIEW**

<b>Operator</b>	NA
<b>Date</b>	NA