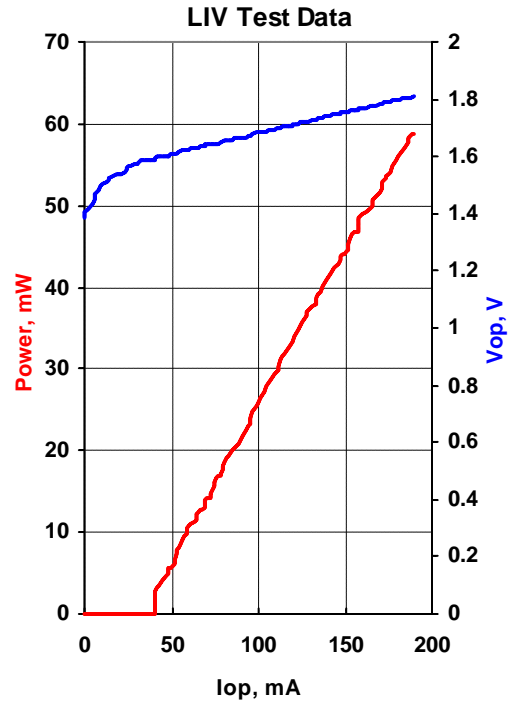


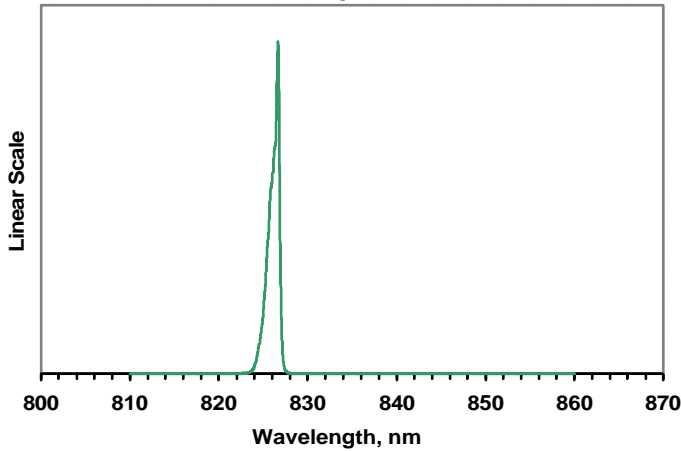


MODEL	QFLD-830-50S
PART NUMBER	SAMPLE

Parameter	Value	Units
Internal Temperature	25	°C
Thermistor Resistance	10.0	k?
Optical Output Power	50.5	mW
Threshold Current	40	mA
Operating Current	165	mA
Maximum Operating Current	182	mA
Operating Voltage	1.77	V
Monitor Current	0.63	mA
Center Wavelength	826.1	nm
Spectral Width	1.12	nm

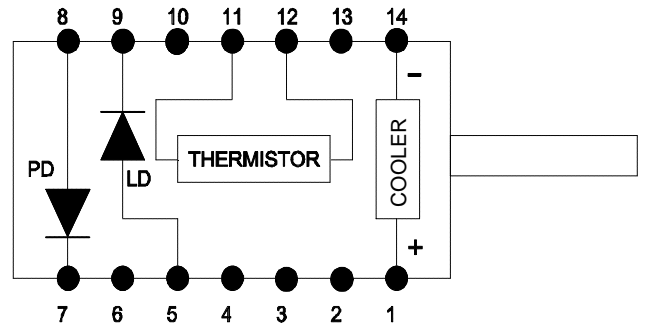


Emission Spectrum



Fiber Type	HI780
NA	0.14
Connector	FC/PC

Pin	Connection
1	TE Cooler (+)
5	LD Anode (+)
7	PD Cathode (+)
8	PD Anode (-)
9	LD Cathode (-)
11	Thermistor
12	Thermistor
14	TE Cooler (-)



BOTTOM VIEW

Operator	
Date	