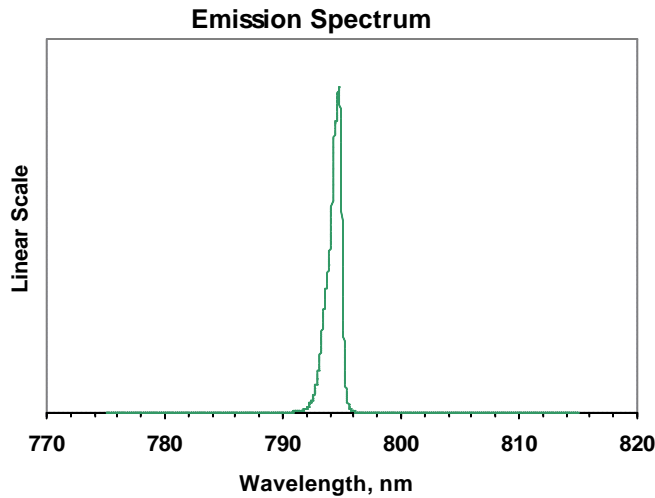
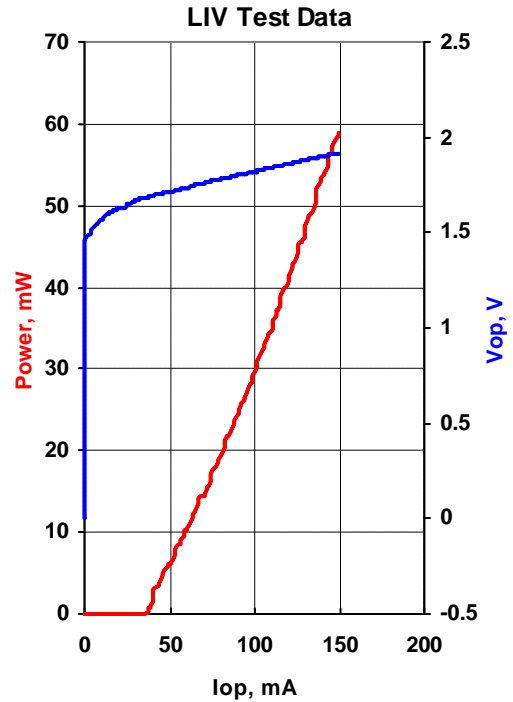




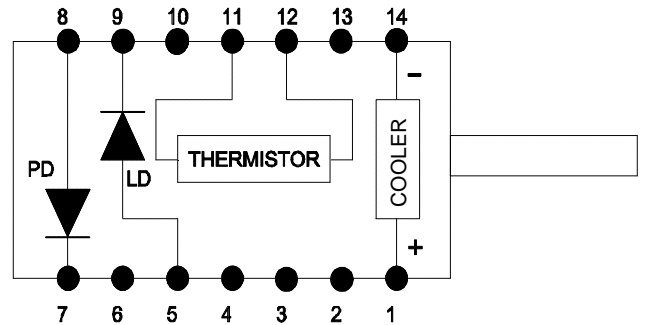
MODEL	QFLD-795-50S
PART NUMBER	SAMPLE

Parameter	Value	Units
Internal Temperature	25	°C
Thermistor Resistance	10.0	k?
Optical Output Power	50.5	mW
Threshold Current	39	mA
Operating Current	135	mA
<b>Maximum Operating Current</b>	<b>148</b>	<b>mA</b>
Operating Voltage	1.89	V
Monitor Current	0.23	mA
Center Wavelength	794.7	nm
Spectral Width	1.26	nm



Fiber Type	HI780
NA	0.14
Connector	FC/PC

Pin	Connection
1	TE Cooler (+)
5	LD Anode (+)
7	PD Cathode (+)
8	PD Anode (-)
9	LD Cathode (-)
11	Thermistor
12	Thermistor
14	TE Cooler (-)



Operator	
Date	

BOTTOM VIEW