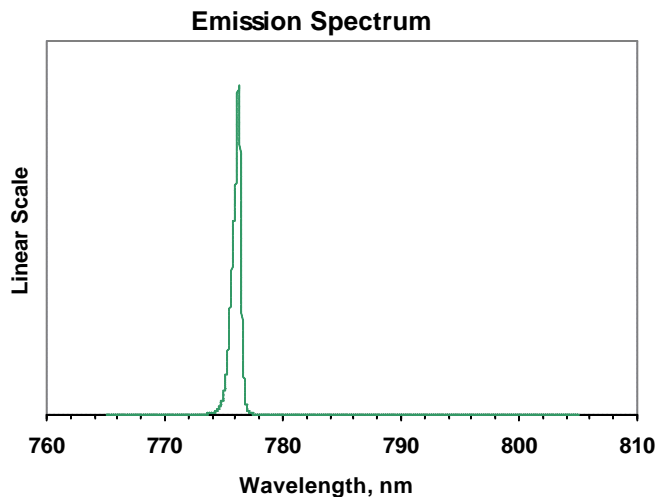
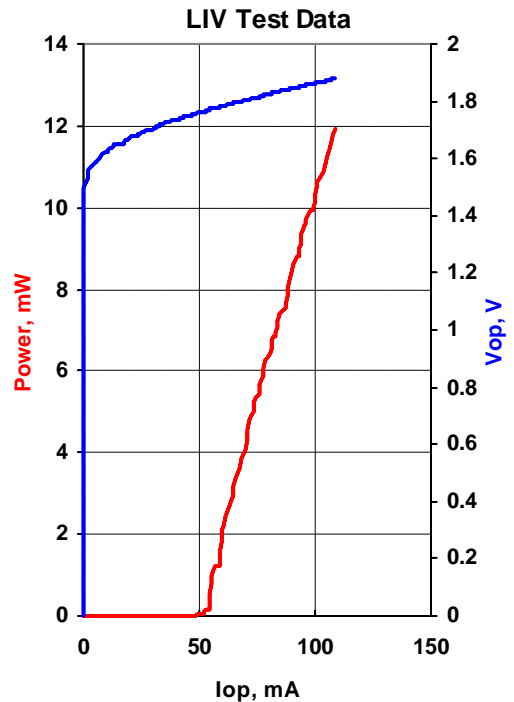




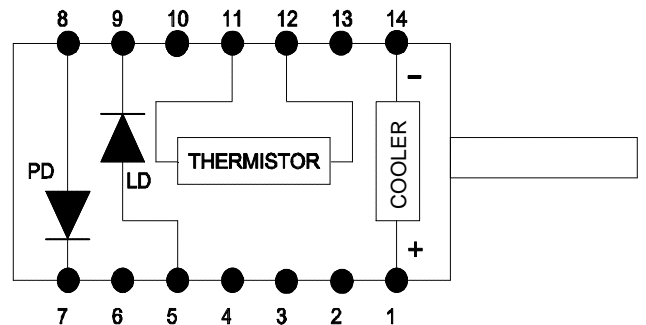
| | |
|-------------|--------------|
| MODEL | QFLD-780-10S |
| PART NUMBER | SAMPLE |

| Parameter | Value | Units |
|----------------------------------|------------|-----------|
| Internal Temperature | 25 | °C |
| Thermistor Resistance | 10.0 | k? |
| Optical Output Power | 10.2 | mW |
| Threshold Current | 55 | mA |
| Operating Current | 99 | mA |
| Maximum Operating Current | 109 | mA |
| Operating Voltage | 1.86 | V |
| Monitor Current | 0.09 | mA |
| Center Wavelength | 776.2 | nm |
| Spectral Width | 0.85 | nm |



| | |
|------------|-------|
| Fiber Type | HI780 |
| NA | 0.14 |
| Connector | |

| Pin | Connection |
|-----|----------------|
| 1 | TE Cooler (+) |
| 5 | LD Anode (+) |
| 7 | PD Cathode (+) |
| 8 | PD Anode (-) |
| 9 | LD Cathode (-) |
| 11 | Thermistor |
| 12 | Thermistor |
| 14 | TE Cooler (-) |



| | |
|----------|--|
| Operator | |
| Date | |