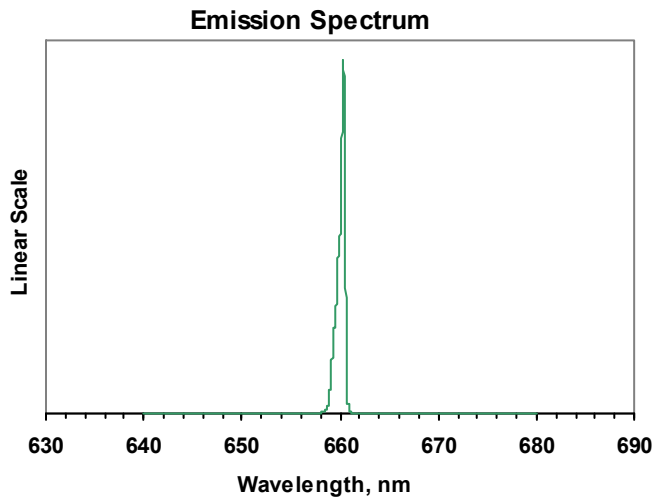
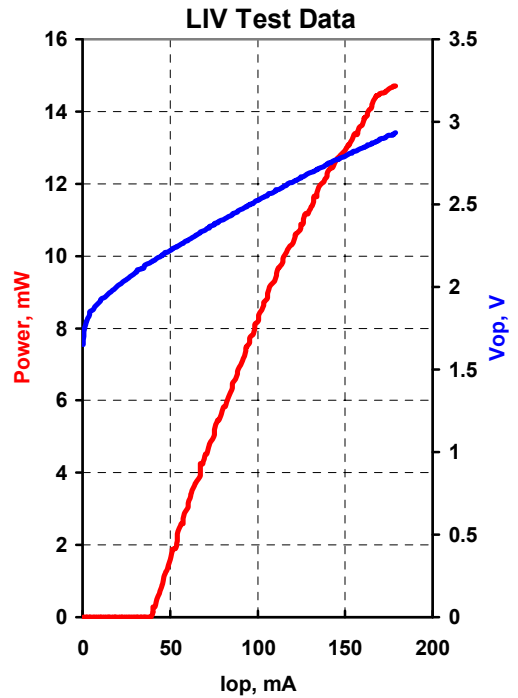




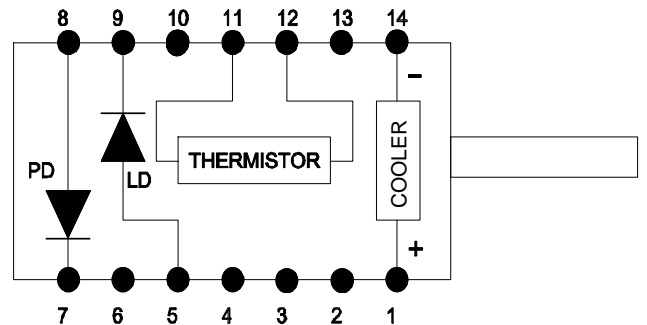
MODEL	QFLD-660-10S
PART NUMBER	SAMPLE

Parameter	Value	Units
Internal Temperature	25	°C
Thermistor Resistance	10.0	kΩ
Optical Output Power	10	mW
Threshold Current	40	mA
Operating Current	115	mA
Operating Voltage	2.6	V
Monitor Current	0.04	mA
Monitor Dark Current	0	nA
Center Wavelength	660.1	nm
Spectral Width	0.59	nm



Fiber Type	SM600
NA	0.14
Connector	FC/PC

Pin	Connection
1	TE Cooler (+)
5	LD Anode (+)
7	PD Cathode (+)
8	PD Anode (-)
9	LD Cathode (-)
11	Thermistor
12	Thermistor
14	TE Cooler (-)



Operator	RL
Date	