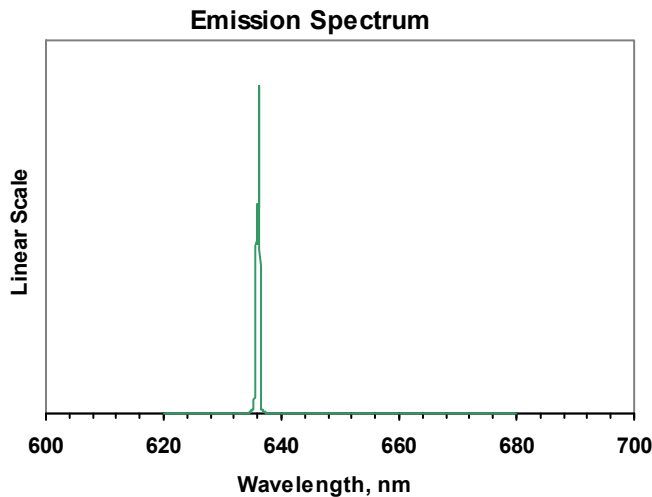
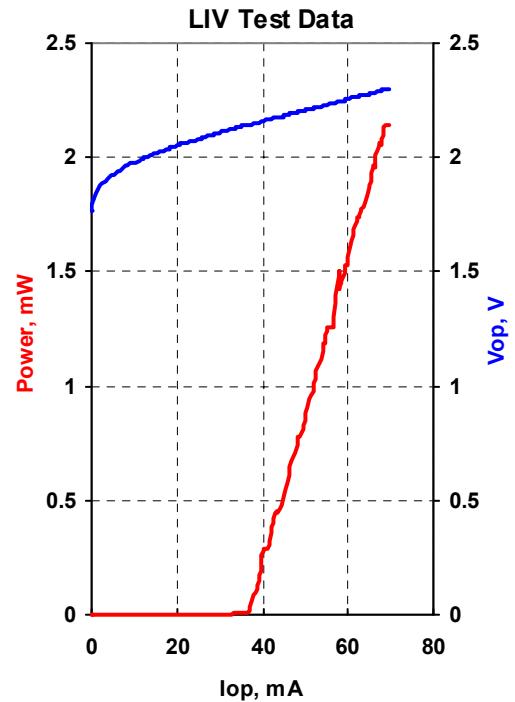




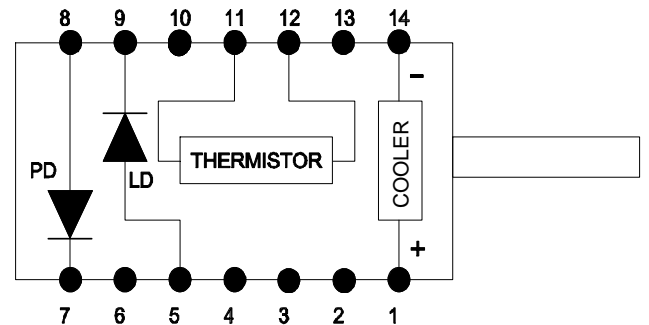
| | |
|--------------------|-------------|
| MODEL | QFLD-635-1S |
| PART NUMBER | SAMPLE |

| Parameter | Value | Units |
|-----------------------|-------|-------|
| Internal Temperature | 25 | °C |
| Thermistor Resistance | 10.0 | kΩ |
| Optical Output Power | 1 | mW |
| Threshold Current | 36 | mA |
| Operating Current | 52 | mA |
| Operating Voltage | 2.21 | V |
| Monitor Current | 0.08 | mA |
| Monitor Dark Current | 0 | nA |
| Center Wavelength | 636.3 | nm |
| Spectral Width | 0.56 | nm |



| | |
|-------------------|-------|
| Fiber Type | SM600 |
| NA | 0.14 |
| Connector | FC/PC |

| Pin | Connection |
|-----|----------------|
| 1 | TE Cooler (+) |
| 5 | LD Anode (+) |
| 7 | PD Cathode (+) |
| 8 | PD Anode (-) |
| 9 | LD Cathode (-) |
| 11 | Thermistor |
| 12 | Thermistor |
| 14 | TE Cooler (-) |



| | |
|-----------------|----|
| Operator | RL |
| Date | |