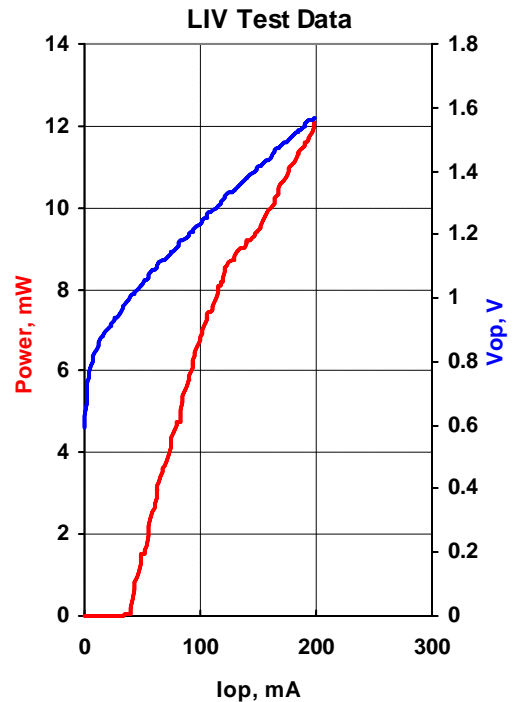


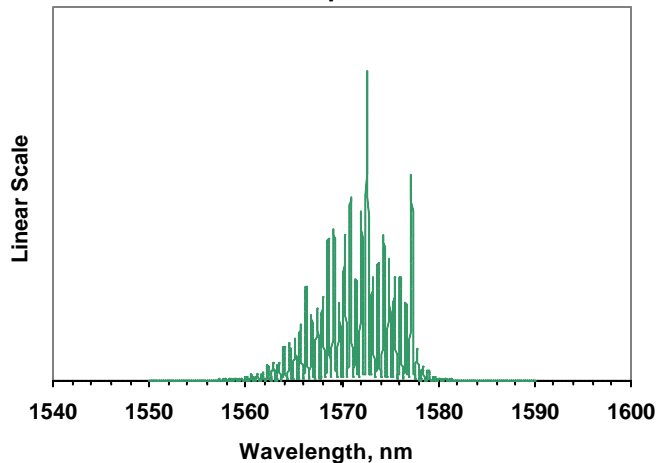


<b>MODEL</b>	QFLD-1570-10S
<b>PART NUMBER</b>	SAMPLE

Parameter	Value	Units
Internal Temperature	25	°C
Thermistor Resistance	10.0	k?
Optical Output Power	10	mW
Threshold Current	40	mA
Operating Current	159	mA
<b>Maximum Operating Current</b>	<b>175</b>	<b>mA</b>
Operating Voltage	1.44	V
Monitor Current	0.56	mA
Center Wavelength	1571.6	nm
Spectral Width	7.49	nm

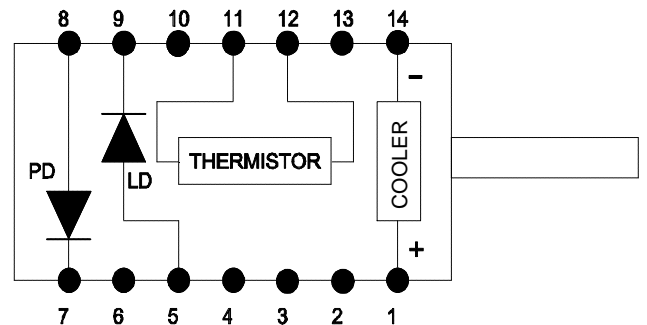


Emission Spectrum



<b>Fiber Type</b>	SMF28
<b>NA</b>	0.13
<b>Connector</b>	FC/PC

Pin	Connection
1	TE Cooler (+)
5	LD Anode (+)
7	PD Cathode (+)
8	PD Anode (-)
9	LD Cathode (-)
11	Thermistor
12	Thermistor
14	TE Cooler (-)



BOTTOM VIEW

<b>Operator</b>	
<b>Date</b>	