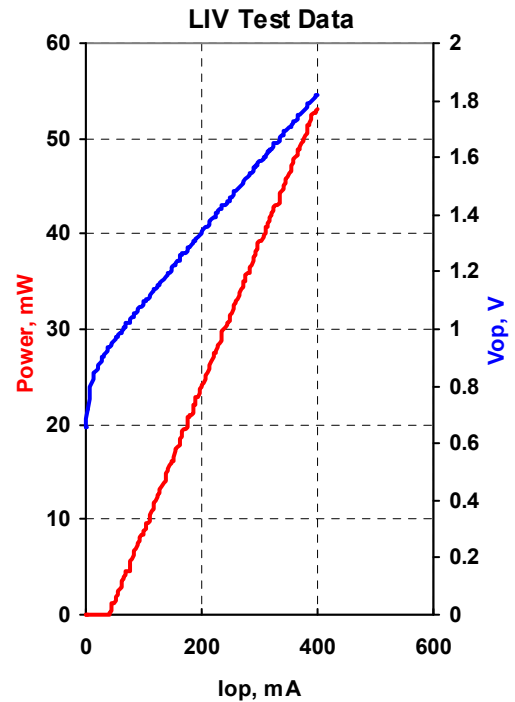


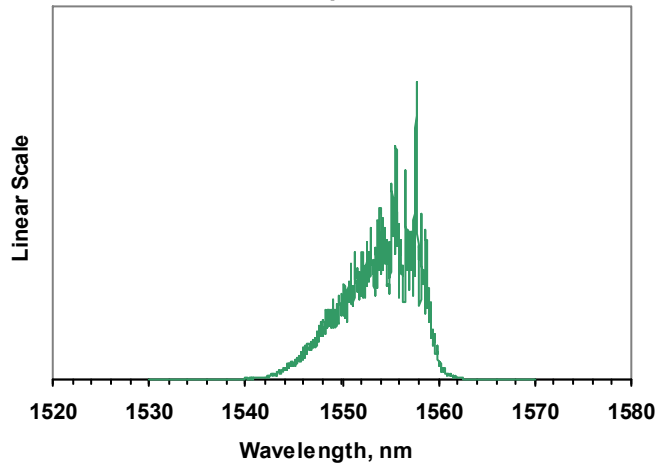


MODEL	QFLD-1550-50S
PART NUMBER	SAMPLE

Parameter	Value	Units
Internal Temperature	25	°C
Thermistor Resistance	10.0	kΩ
Optical Output Power	50.3	mW
Threshold Current	46	mA
Operating Current	379	mA
Maximum Operating Current	417	mA
Operating Voltage	1.77	V
Monitor Current	0.18	mA
Center Wavelength	1557.2	nm
Spectral Width	7.51	nm

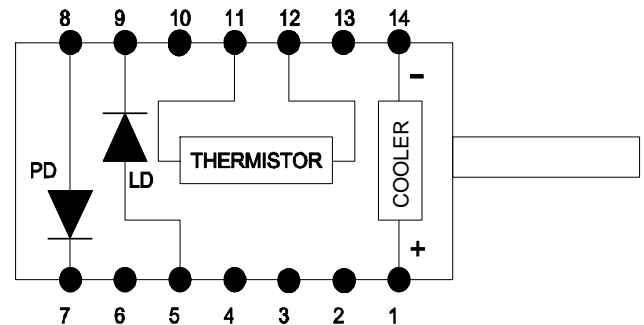


Emission Spectrum



Fiber Type	SMF28
NA	0.13
Connector	FC/PC

Pin	Connection
1	TE Cooler (+)
5	LD Anode (+)
7	PD Cathode (+)
8	PD Anode (-)
9	LD Cathode (-)
11	Thermistor
12	Thermistor
14	TE Cooler (-)



BOTTOM VIEW

Operator	RL
Date	10/31/2013