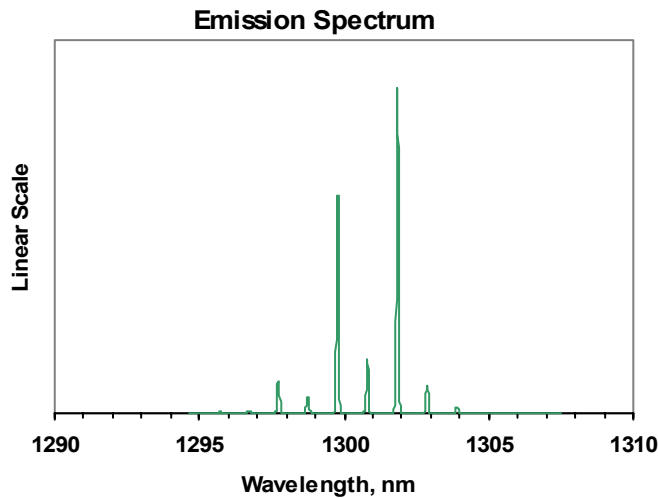
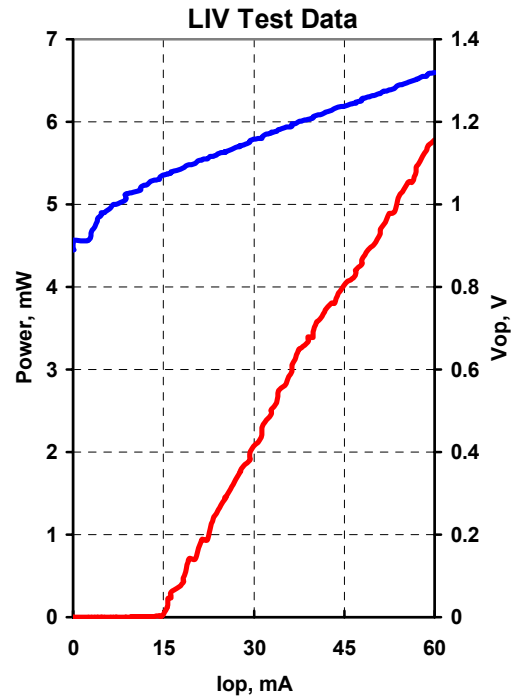




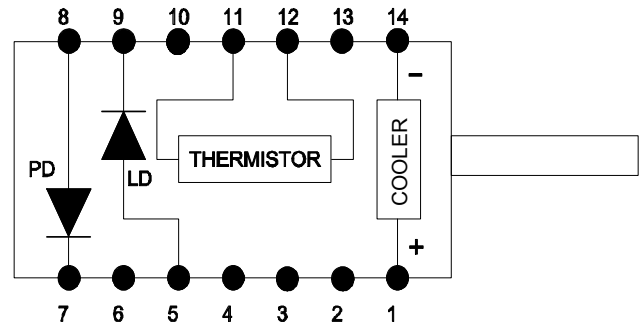
MODEL	QFLD-1300-1S
PART NUMBER	SAMPLE

Parameter	Value	Units
Internal Temperature	25	°C
Thermistor Resistance	10.0	kΩ
Optical Output Power	2	mW
Threshold Current	20	mA
Operating Current	30	mA
Operating Voltage	1.16	V
Monitor Current	1.12	mA
Monitor Dark Current	0	nA
Center Wavelength	1301	nm
Spectral Width	2.14	nm



Fiber Type	SMF-28
NA	0.13
Connector	FC/PC

Pin	Connection
1	TE Cooler (+)
5	LD Anode (+)
7	PD Cathode (+)
8	PD Anode (-)
9	LD Cathode (-)
11	Thermistor
12	Thermistor
14	TE Cooler (-)



Operator	HS
Date	8/6/2004