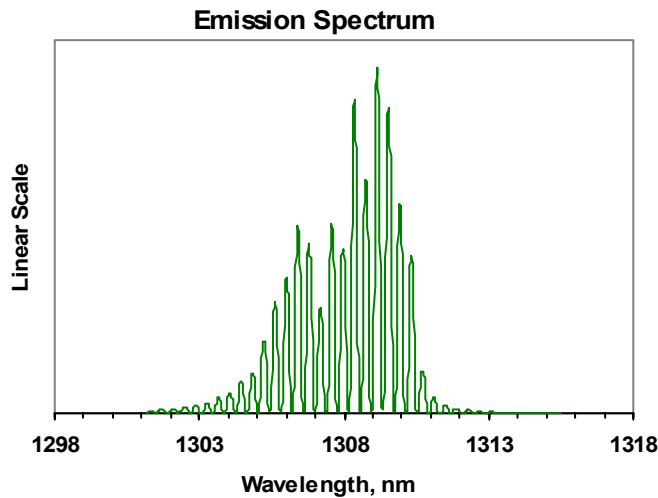
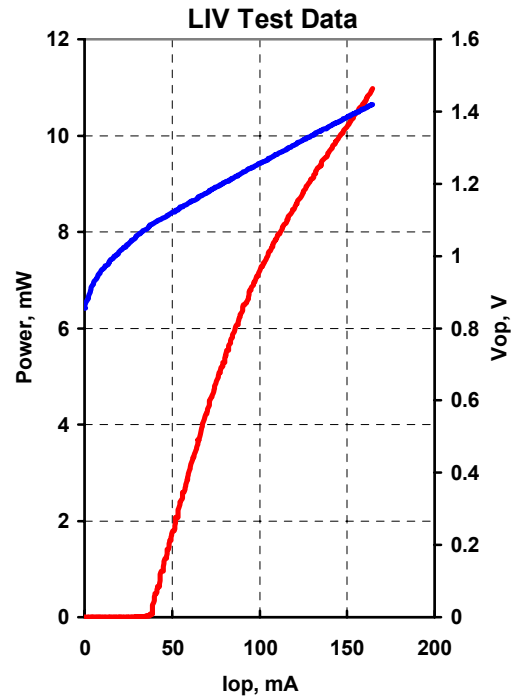




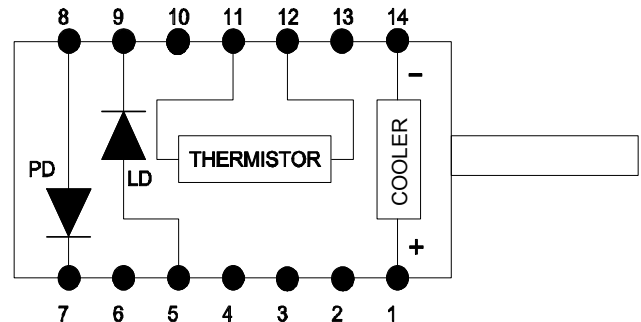
<b>MODEL</b>	QFLD_1300_10S
<b>PART NUMBER</b>	SAMPLE

Parameter	Value	Units
Internal Temperature	25	°C
Thermistor Resistance	10.0	kΩ
Optical Output Power	10	mW
Threshold Current	44	mA
Operating Current	145	mA
Operating Voltage	1.4	V
Monitor Current	0.15	mA
Monitor Dark Current	0	nA
Center Wavelength	1308	nm
Spectral Width	3.63	nm



<b>Fiber Type</b>	SMF-28
<b>NA</b>	0.13
<b>Connector</b>	FC/PC

Pin	Connection
1	TE Cooler (+)
5	LD Anode (+)
7	PD Cathode (+)
8	PD Anode (-)
9	LD Cathode (-)
11	Thermistor
12	Thermistor
14	TE Cooler (-)



<b>Operator</b>	HS
<b>Date</b>	7/28/2004