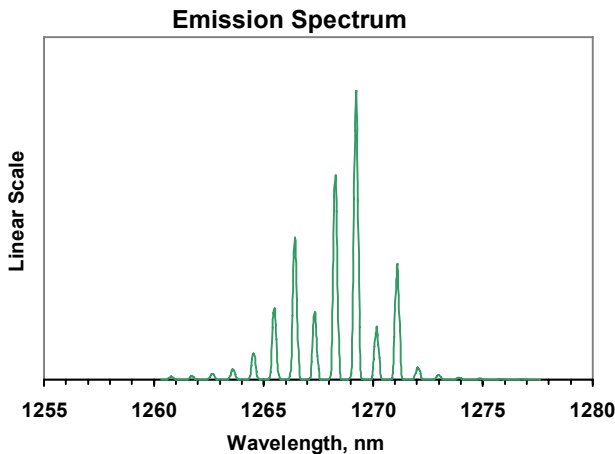
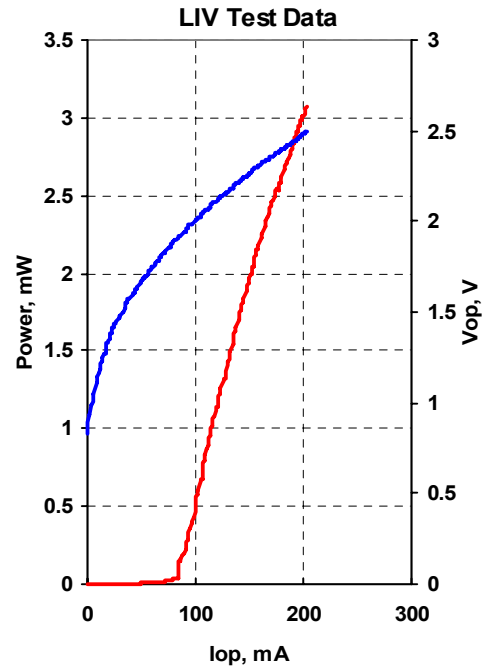




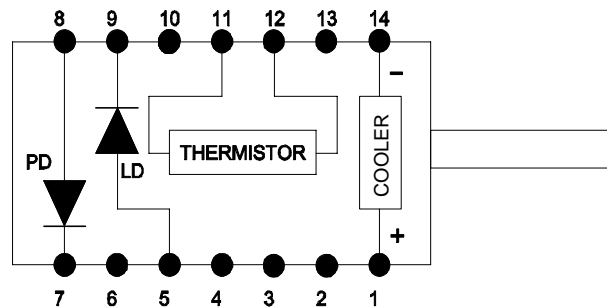
<b>MODEL</b>	QFLD-1270-3S
<b>PART NUMBER</b>	SAMPLE

Parameter	Value	Units
Internal Temperature	25	°C
Thermistor Resistance	10.0	kΩ
Optical Output Power	3	mW
Threshold Current	80	mA
Operating Current	200	mA
Operating Voltage	2.49	V
Monitor Current	0.24	mA
Monitor Dark Current	0	nA
Center Wavelength	1268	nm
Spectral Width	3.92	nm



<b>Fiber Type</b>	SMF-28
<b>NA</b>	0.13
<b>Connector</b>	None

Pin	Connection
1	TE Cooler (+)
5	LD Anode (+)
7	PD Cathode (+)
8	PD Anode (-)
9	LD Cathode (-)
11	Thermistor
12	Thermistor
14	TE Cooler (-)



<b>Operator</b>	NA
<b>Date</b>	8/10/2006