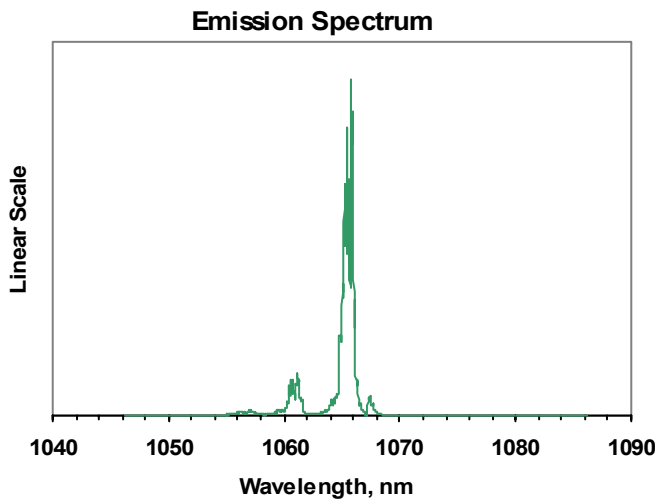
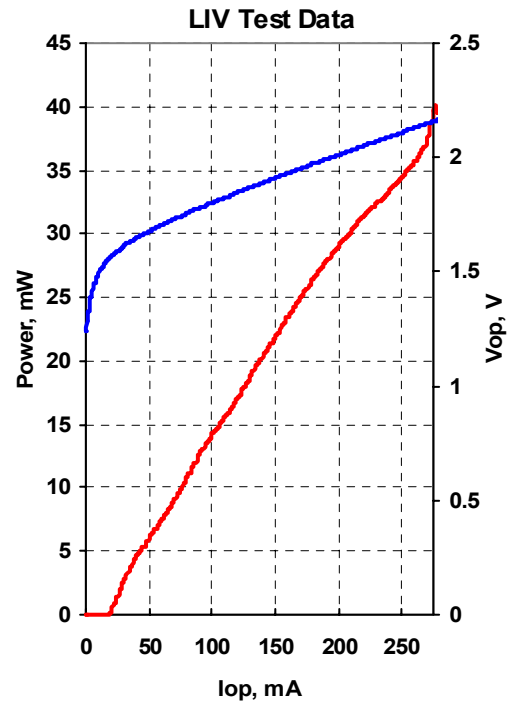




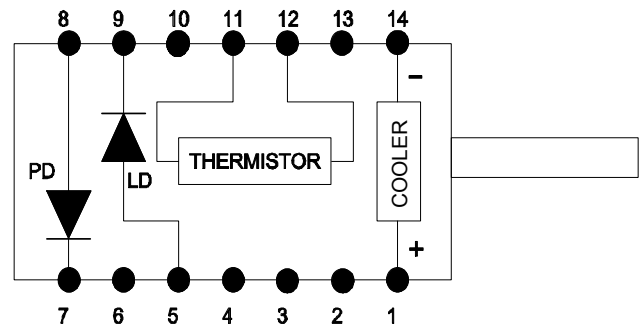
MODEL	QFLD-1060-30S
PART NUMBER	SAMPLE

Parameter	Value	Units
Internal Temperature	25	°C
Thermistor Resistance	10.0	kΩ
Optical Output Power	30	mW
Threshold Current	23	mA
Operating Current	210	mA
Operating Voltage	2.12	V
Monitor Current	0.74	mA
Monitor Dark Current	0	nA
Center Wavelength	1065	nm
Spectral Width	2.19	nm



Fiber Type	HI1060
NA	0.14
Connector	FC/APC

Pin	Connection
1	TE Cooler (+)
5	LD Anode (+)
7	PD Cathode (+)
8	PD Anode (-)
9	LD Cathode (-)
11	Thermistor
12	Thermistor
14	TE Cooler (-)



Operator	HS
Date	8/30/2004