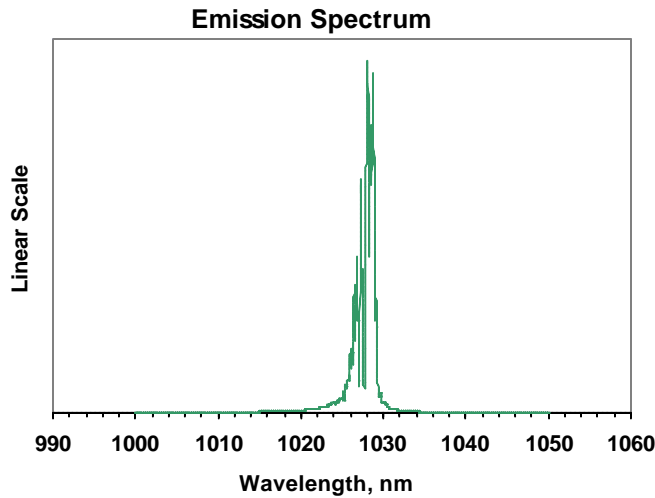
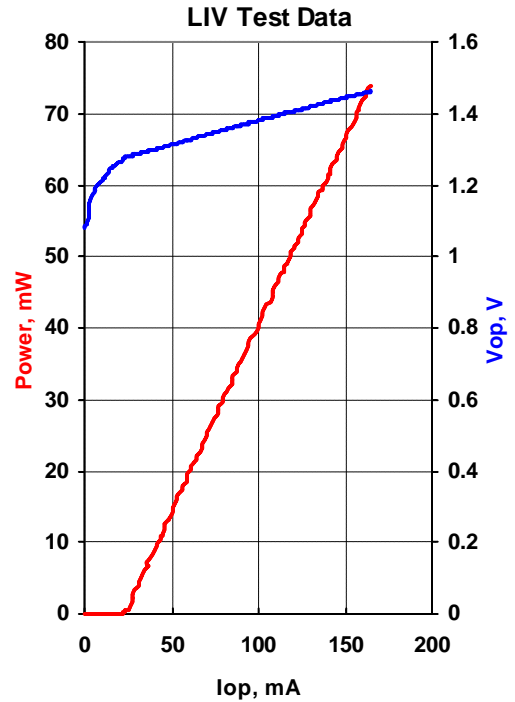




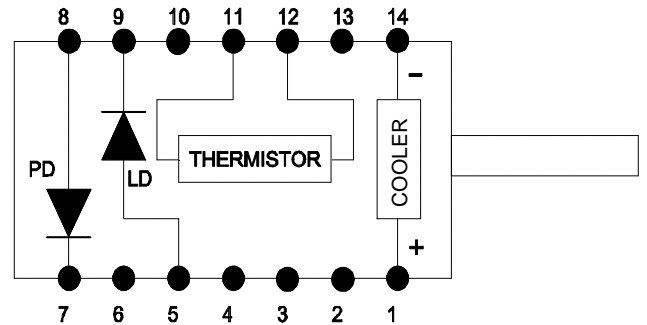
MODEL	QFLD-1030-50S
PART NUMBER	SAMPLE

Parameter	Value	Units
Internal Temperature	25	°C
Thermistor Resistance	10.0	k?
Optical Output Power	50	mW
Threshold Current	25	mA
Operating Current	118	mA
Maximum Operating Current	130	mA
Operating Voltage	1.4	V
Monitor Current	0.09	mA
Center Wavelength	1027.9	nm
Spectral Width	2.79	nm



Fiber Type	HI1060
NA	0.14
Connector	

Pin	Connection
1	TE Cooler (+)
5	LD Anode (+)
7	PD Cathode (+)
8	PD Anode (-)
9	LD Cathode (-)
11	Thermistor
12	Thermistor
14	TE Cooler (-)



Operator	
Date	