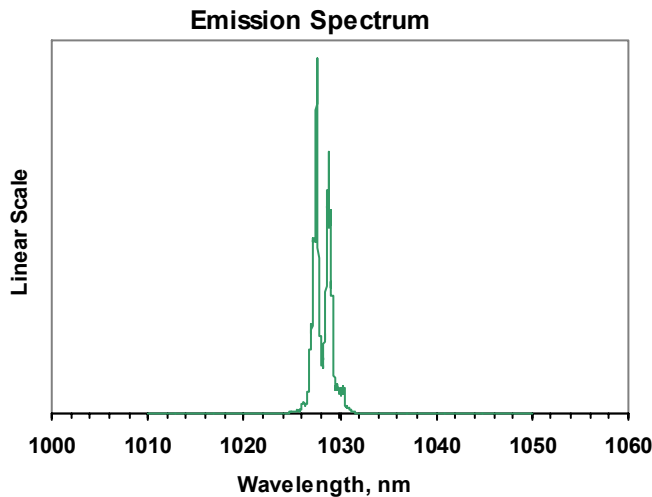
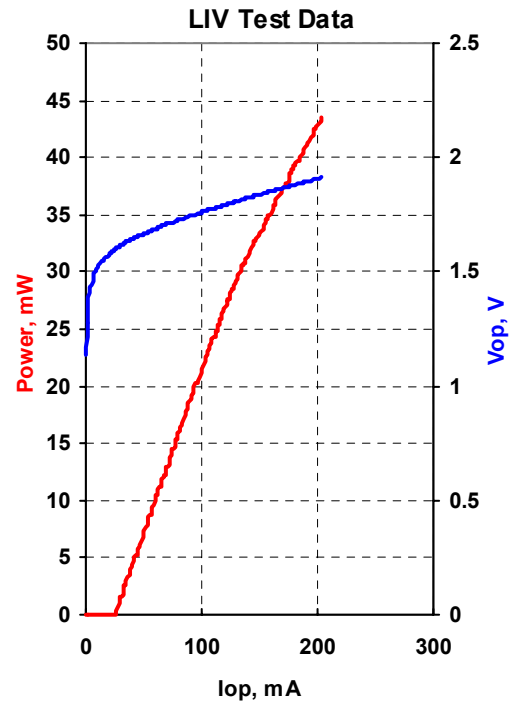




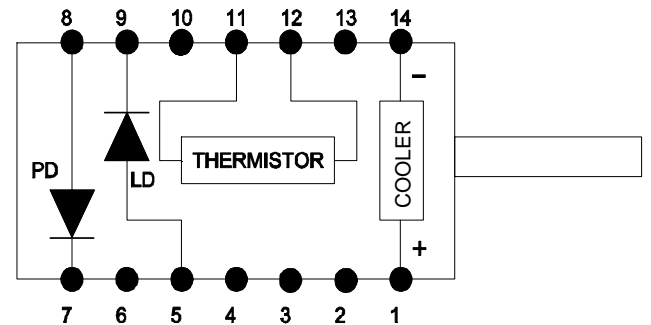
<b>MODEL</b>	QFLD-1030-30S
<b>PART NUMBER</b>	SAMPLE

Parameter	Value	Units
Internal Temperature	25	°C
Thermistor Resistance	10.0	kΩ
Optical Output Power	30	mW
Threshold Current	28	mA
Operating Current	134	mA
Operating Voltage	1.81	V
Monitor Current	0.29	mA
Monitor Dark Current	0	nA
Center Wavelength	1028.1	nm
Spectral Width	1.84	nm



<b>Fiber Type</b>	HI1060
<b>NA</b>	0.14
<b>Connector</b>	

Pin	Connection
1	TE Cooler (+)
5	LD Anode (+)
7	PD Cathode (+)
8	PD Anode (-)
9	LD Cathode (-)
11	Thermistor
12	Thermistor
14	TE Cooler (-)



<b>Operator</b>	
<b>Date</b>	