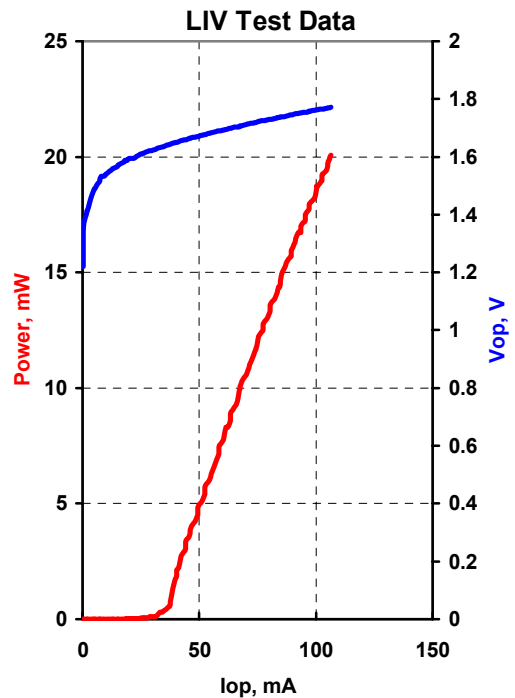


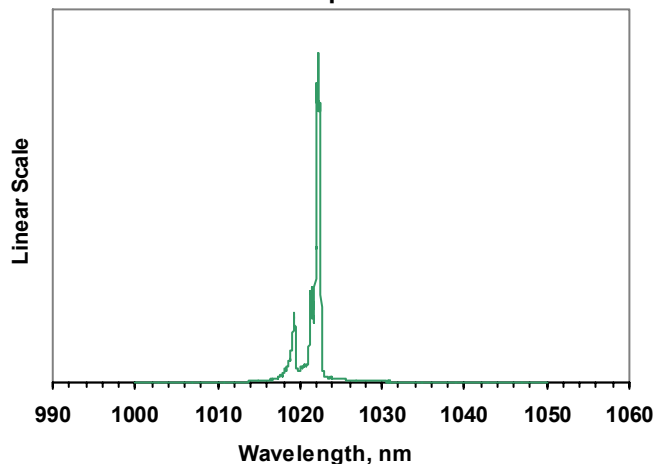


MODEL	QFLD-1030-10S
PART NUMBER	SAMPLE

Parameter	Value	Units
Internal Temperature	25	°C
Thermistor Resistance	10.0	kΩ
Optical Output Power	11	mW
Threshold Current	32	mA
Operating Current	69	mA
Operating Voltage	1.71	V
Monitor Current	0.1	mA
Monitor Dark Current	0	nA
Center Wavelength	1021.7	nm
Spectral Width	2.83	nm

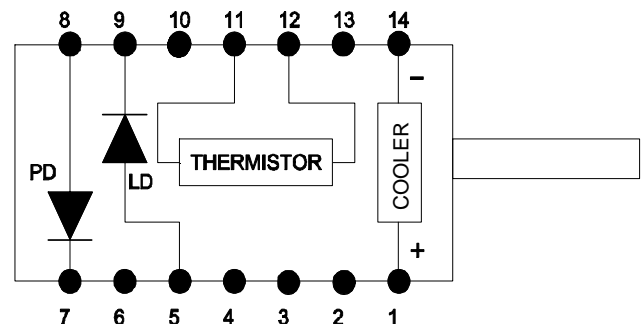


Emission Spectrum



Fiber Type	HI1060
NA	0.14
Connector	

Pin	Connection
1	TE Cooler (+)
5	LD Anode (+)
7	PD Cathode (+)
8	PD Anode (-)
9	LD Cathode (-)
11	Thermistor
12	Thermistor
14	TE Cooler (-)



BOTTOM VIEW

Operator	
Date	