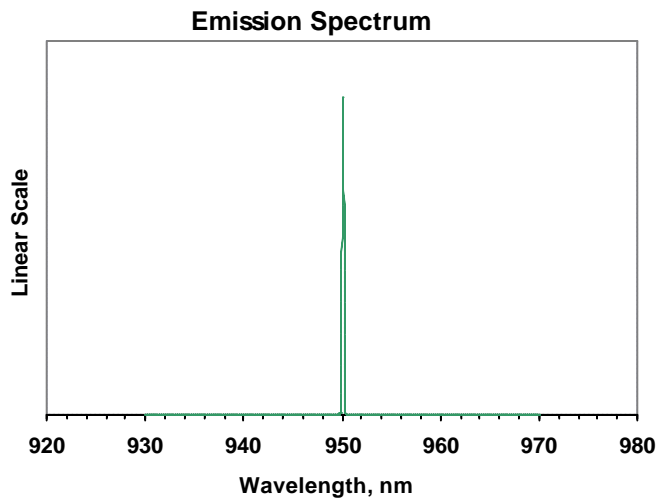
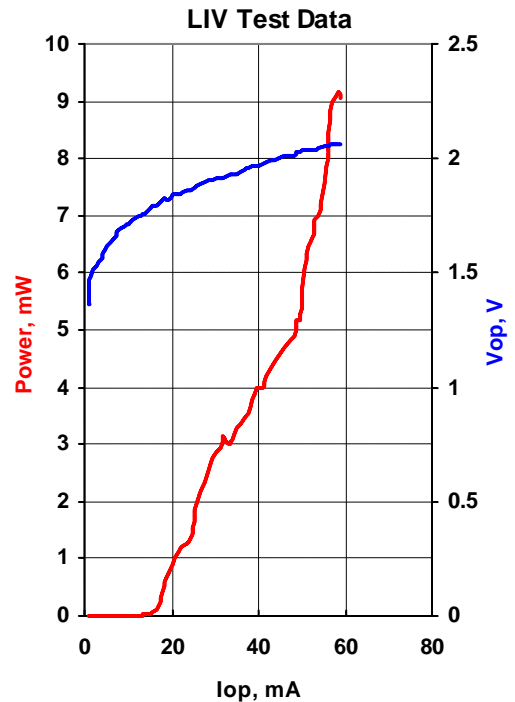




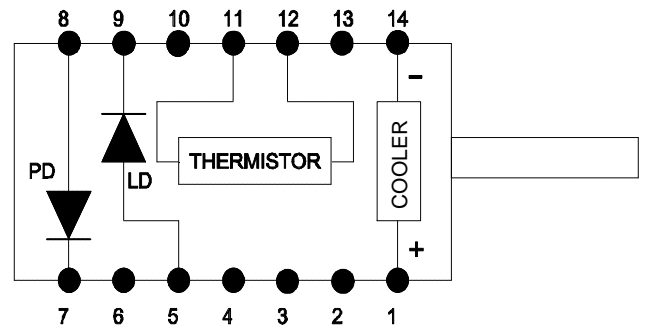
| | |
|--------------------|--------------|
| MODEL | QFBGLD-950-5 |
| PART NUMBER | SAMPLE |

| Parameter | Value | Units |
|----------------------------------|-----------|-----------|
| Internal Temperature | 25 | °C |
| Thermistor Resistance | 10.0 | k? |
| Optical Output Power | 5 | mW |
| Threshold Current | 16 | mA |
| Operating Current | 48 | mA |
| Maximum Operating Current | 53 | mA |
| Operating Voltage | 2.02 | V |
| Monitor Current | 2.88 | mA |
| Center Wavelength | 950.1 | nm |
| Spectral Width | <0.01 | nm |



| | |
|-------------------|--------|
| Fiber Type | HI1060 |
| NA | 0.14 |
| Connector | FC/APC |

| Pin | Connection |
|-----|----------------|
| 1 | TE Cooler (+) |
| 5 | LD Anode (+) |
| 7 | PD Cathode (+) |
| 8 | PD Anode (-) |
| 9 | LD Cathode (-) |
| 11 | Thermistor |
| 12 | Thermistor |
| 14 | TE Cooler (-) |



| | |
|-----------------|--|
| Operator | |
| Date | |