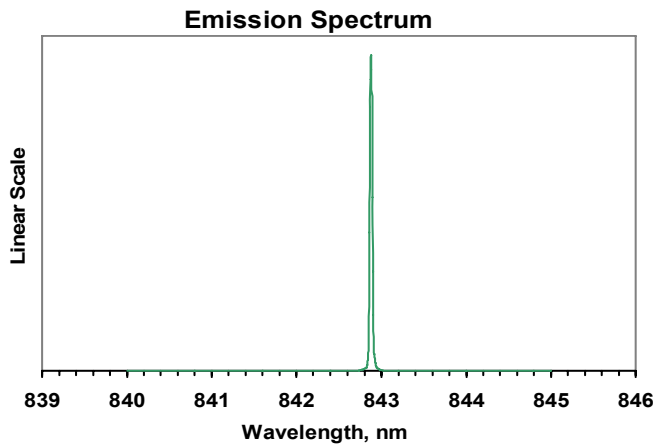
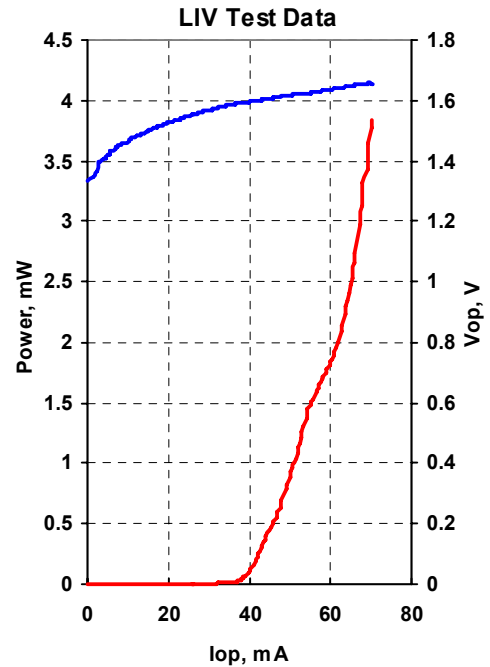




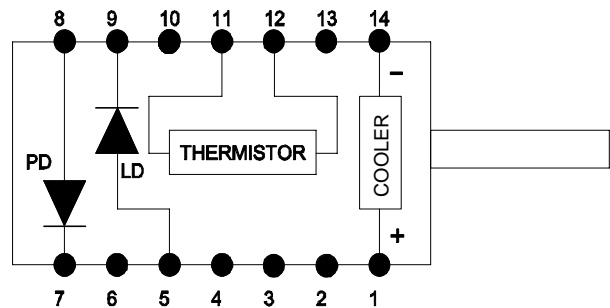
MODEL	QFBGLD-850-5
PART NUMBER	SAMPLE

Parameter	Value	Units
Internal Temperature	25	°C
Thermistor Resistance	10.0	kΩ
Optical Output Power	2	mW
Threshold Current	44	mA
Operating Current	63	mA
Operating Voltage	1.64	V
Monitor Current	0.1	mA
Monitor Dark Current	0	nA
Center Wavelength	843	nm
Spectral Width	<0.01	nm



Fiber Type	SM800
NA	0.14
Connector	FC/APC

Pin	Connection
1	TE Cooler (+)
5	LD Anode (+)
7	PD Cathode (+)
8	PD Anode (-)
9	LD Cathode (-)
11	Thermistor
12	Thermistor
14	TE Cooler (-)



Operator	HS
Date	6/12/2008