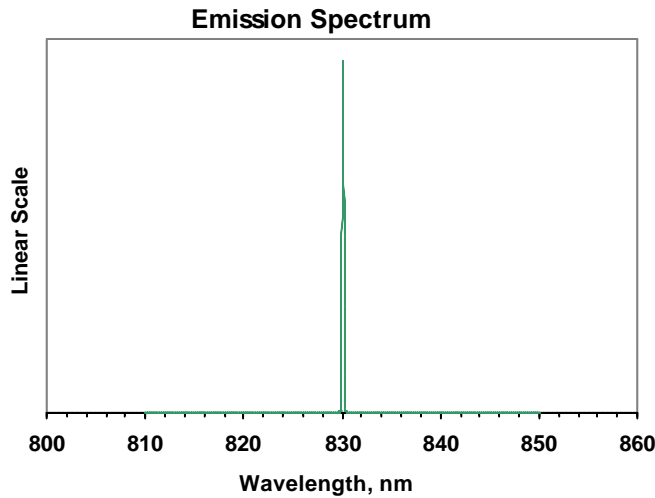
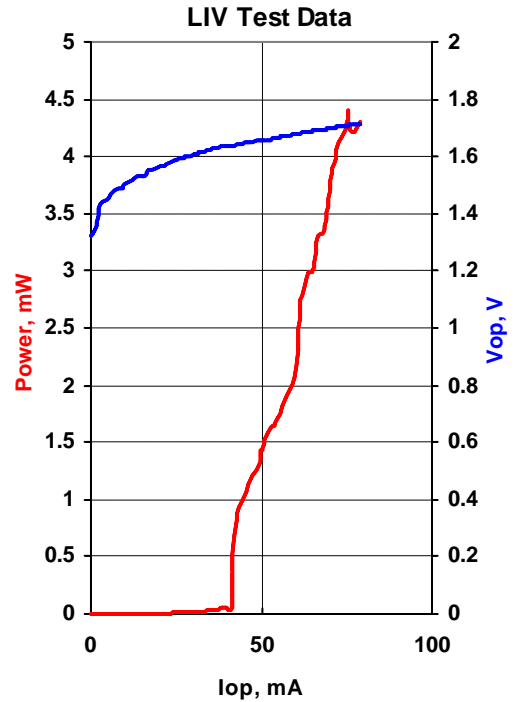




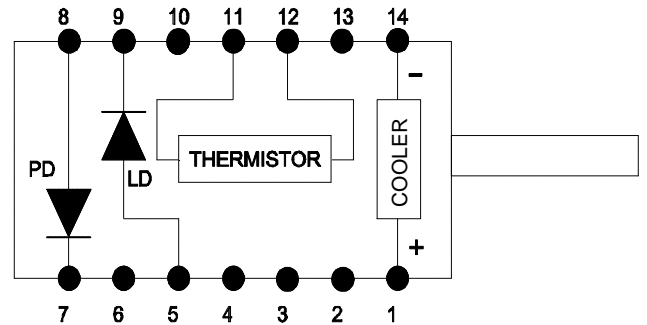
MODEL	QFBGLD-830-5PM
PART NUMBER	SAMPLE

Parameter	Value	Units
Internal Temperature	25	°C
Thermistor Resistance	10.0	k?
Optical Output Power	4.1	mW
Threshold Current	41	mA
Operating Current	72	mA
Maximum Operating Current	79	mA
Operating Voltage	1.7	V
Monitor Current	0.57	mA
Center Wavelength	830.1	nm
Spectral Width	<0.01	nm



Fiber Type	HI780
NA	0.14
Connector	FC/APC

Pin	Connection
1	TE Cooler (+)
5	LD Anode (+)
7	PD Cathode (+)
8	PD Anode (-)
9	LD Cathode (-)
11	Thermistor
12	Thermistor
14	TE Cooler (-)



Operator	
Date	