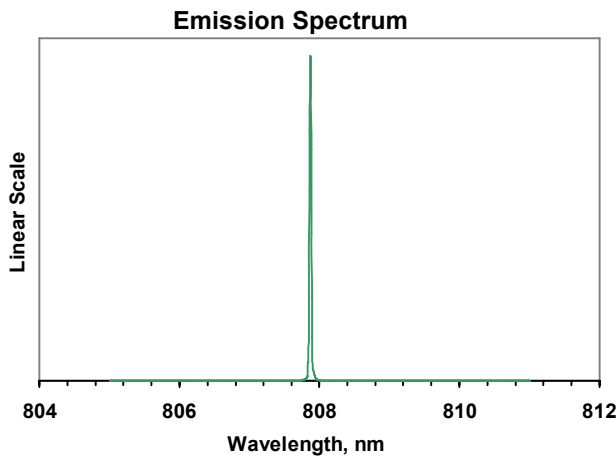
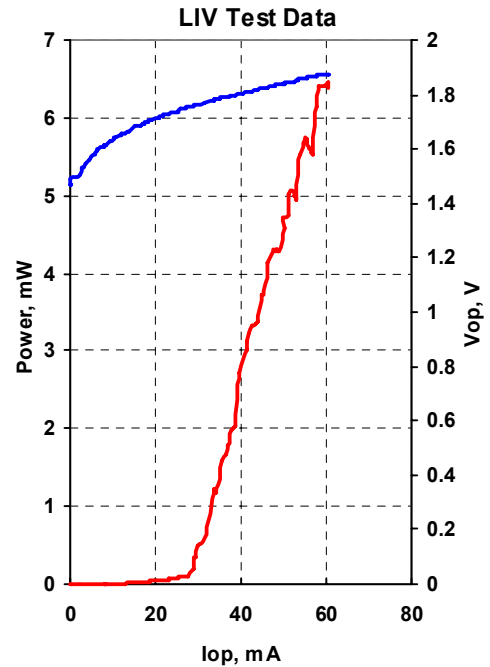




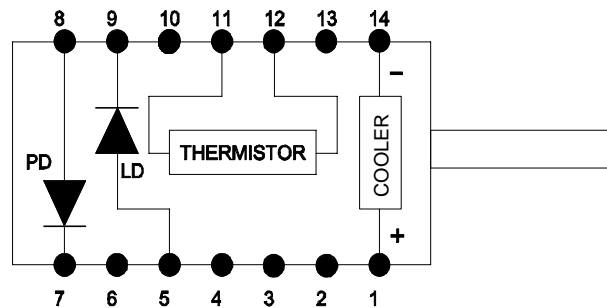
|                    |              |
|--------------------|--------------|
| <b>MODEL</b>       | QFBGLD-808-5 |
| <b>PART NUMBER</b> | SAMPLE       |

| Parameter             | Value | Units |
|-----------------------|-------|-------|
| Internal Temperature  | 25    | °C    |
| Thermistor Resistance | 10.0  | kΩ    |
| Optical Output Power  | 5     | mW    |
| Threshold Current     | 36    | mA    |
| Operating Current     | 51    | mA    |
| Operating Voltage     | 1.85  | V     |
| Monitor Current       | 0.78  | mA    |
| Monitor Dark Current  | 0     | nA    |
| Center Wavelength     | 808   | nm    |
| Spectral Width        | <0.01 | nm    |



|                   |        |
|-------------------|--------|
| <b>Fiber Type</b> | SM800  |
| <b>NA</b>         | 0.14   |
| <b>Connector</b>  | FC/APC |

| Pin | Connection     |
|-----|----------------|
| 1   | TE Cooler (+)  |
| 5   | LD Anode (+)   |
| 7   | PD Cathode (+) |
| 8   | PD Anode (-)   |
| 9   | LD Cathode (-) |
| 11  | Thermistor     |
| 12  | Thermistor     |
| 14  | TE Cooler (-)  |



|                 |           |
|-----------------|-----------|
| <b>Operator</b> | NA        |
| <b>Date</b>     | 1/15/2008 |