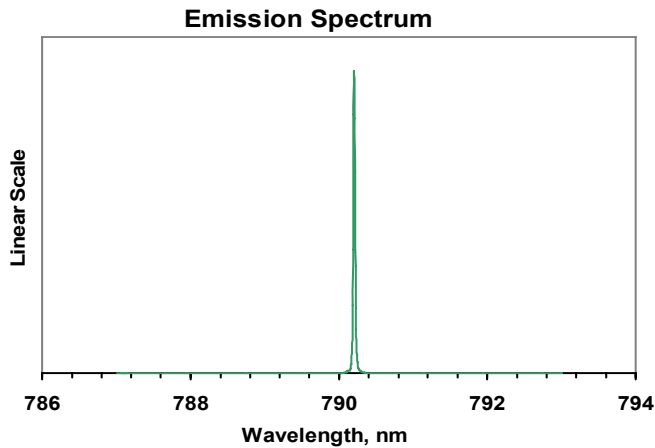
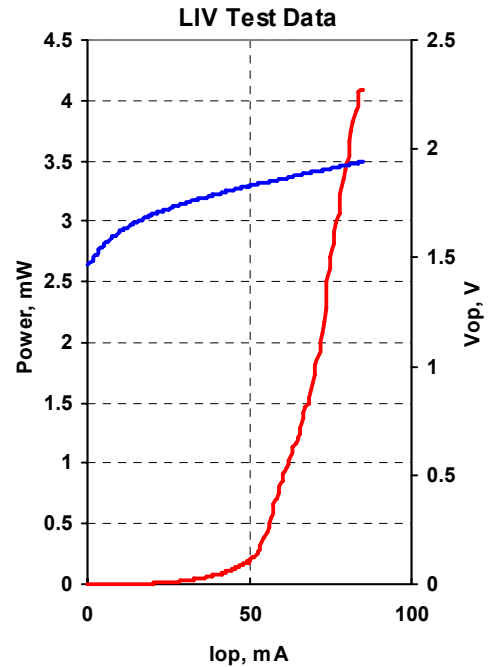




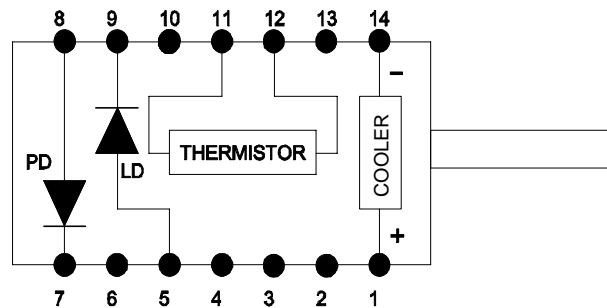
MODEL	QFBGLD-790-5
PART NUMBER	SAMPLE

Parameter	Value	Units
Internal Temperature	25	°C
Thermistor Resistance	10.0	kΩ
Optical Output Power	2	mW
Threshold Current	49	mA
Operating Current	72	mA
Operating Voltage	1.9	V
Monitor Current	1.46	mA
Monitor Dark Current	0	nA
Center Wavelength	790	nm
Spectral Width	<0.01	nm



Fiber Type	SM800
NA	0.14
Connector	FC/APC

Pin	Connection
1	TE Cooler (+)
5	LD Anode (+)
7	PD Cathode (+)
8	PD Anode (-)
9	LD Cathode (-)
11	Thermistor
12	Thermistor
14	TE Cooler (-)



Operator	NA
Date	6/12/2008