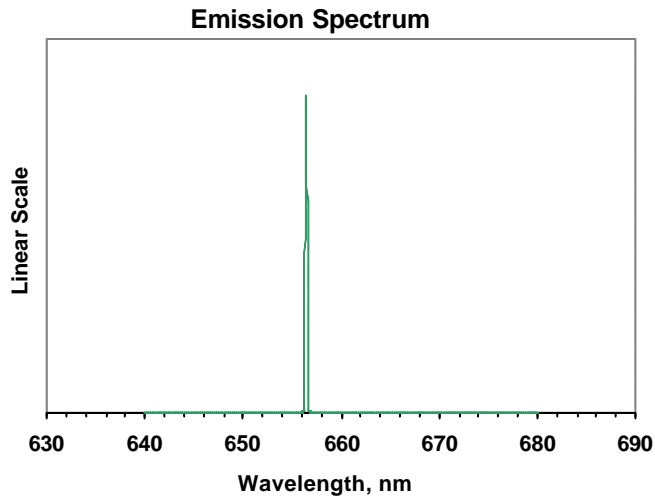
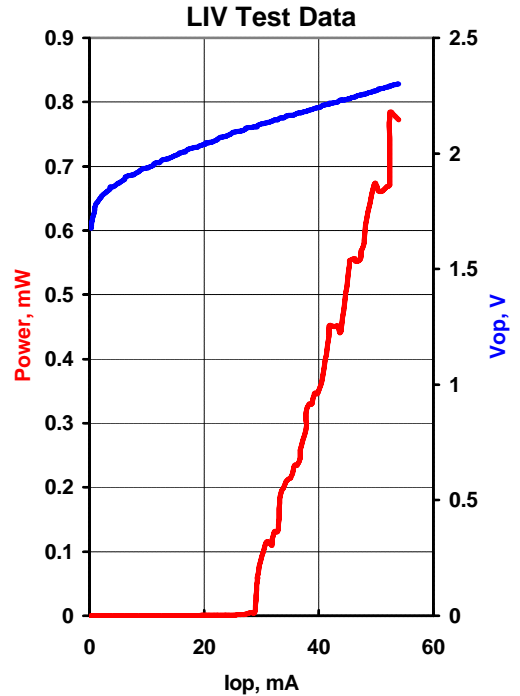




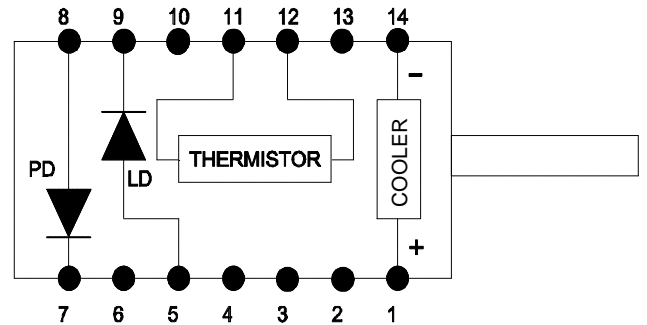
|             |              |
|-------------|--------------|
| MODEL       | QFBGLD-660-1 |
| PART NUMBER | SAMPLE       |

| Parameter             | Value | Units |
|-----------------------|-------|-------|
| Internal Temperature  | 25    | °C    |
| Thermistor Resistance | 10.0  | k?    |
| Optical Output Power  | 0.5   | mW    |
| Threshold Current     | 29    | mA    |
| Operating Current     | 44    | mA    |
| Operating Voltage     | 2.23  | V     |
| Monitor Current       | 0.37  | mA    |
| Monitor Dark Current  | 0     | nA    |
| Center Wavelength     | 656.5 | nm    |
| Spectral Width        | <0.01 | nm    |



|            |        |
|------------|--------|
| Fiber Type | SM600  |
| NA         | 0.14   |
| Connector  | FC/APC |

| Pin | Connection     |
|-----|----------------|
| 1   | TE Cooler (+)  |
| 5   | LD Anode (+)   |
| 7   | PD Cathode (+) |
| 8   | PD Anode (-)   |
| 9   | LD Cathode (-) |
| 11  | Thermistor     |
| 12  | Thermistor     |
| 14  | TE Cooler (-)  |



|          |    |
|----------|----|
| Operator | RL |
| Date     |    |