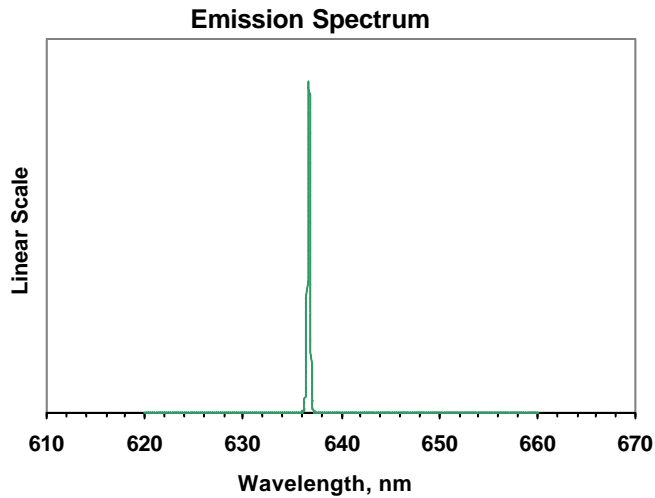
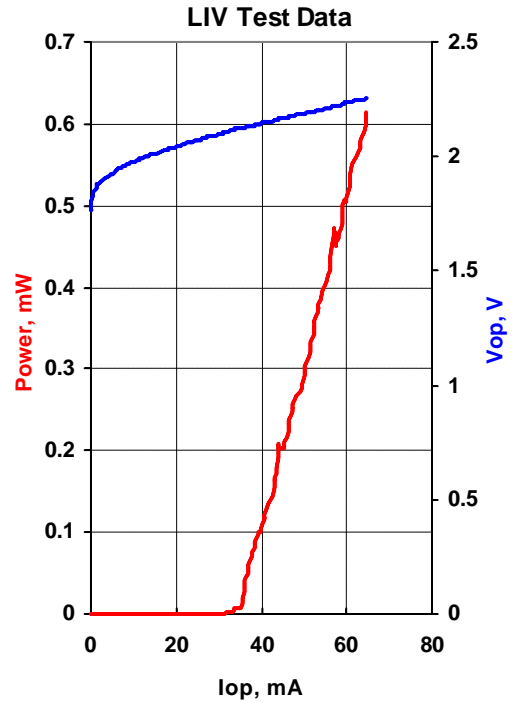




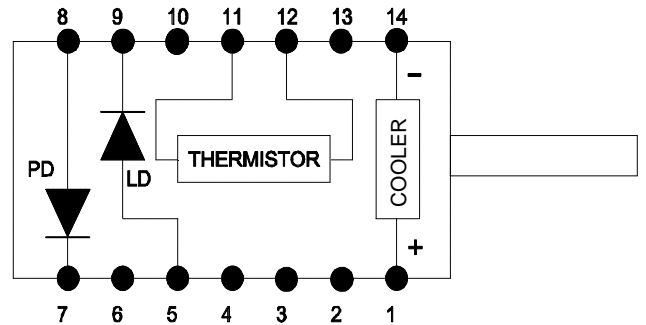
MODEL	QFBGLD-635-1
PART NUMBER	SAMPLE

Parameter	Value	Units
Internal Temperature	25	°C
Thermistor Resistance	10.0	k?
Optical Output Power	1	mW
Threshold Current	35	mA
Operating Current	60	mA
Operating Voltage	2.23	V
Monitor Current	0.22	mA
Monitor Dark Current	0	nA
Center Wavelength	636.7	nm
Spectral Width	<0.01	nm



Fiber Type	SM600
NA	0.14
Connector	FC/APC

Pin	Connection
1	TE Cooler (+)
5	LD Anode (+)
7	PD Cathode (+)
8	PD Anode (-)
9	LD Cathode (-)
11	Thermistor
12	Thermistor
14	TE Cooler (-)



Operator	RL
Date	