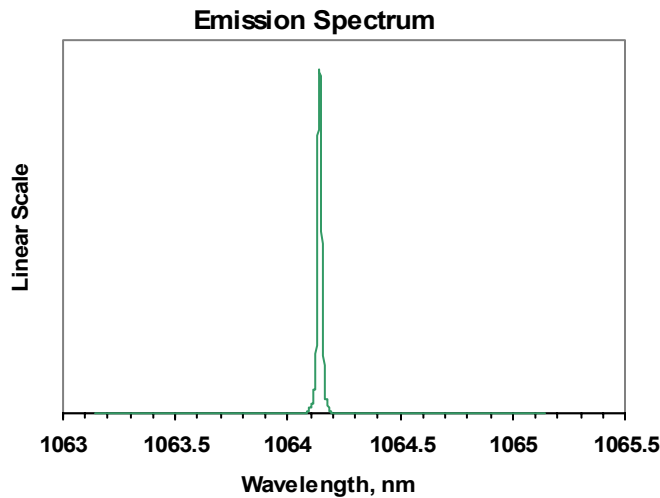
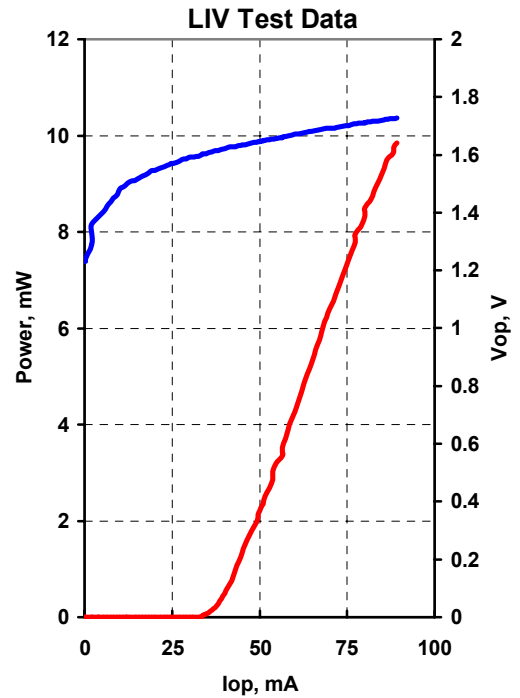


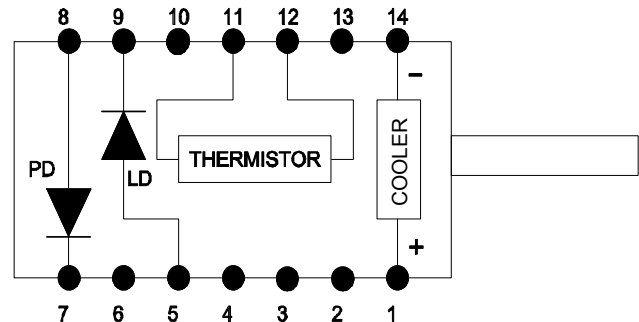
<b>MODEL</b>	QFBGLD-1060-5
<b>PART NUMBER</b>	SAMPLE

Parameter	Value	Units
Internal Temperature	25	°C
Thermistor Resistance	10.0	kΩ
Optical Output Power	5	mW
Threshold Current	35	mA
Operating Current	55	mA
Operating Voltage	1.66	V
Monitor Current	0.53	mA
Monitor Dark Current	0	nA
Center Wavelength	1064	nm
Spectral Width	1	MHz



<b>Fiber Type</b>	HI1060
<b>NA</b>	0.14
<b>Connector</b>	FC/PC

Pin	Connection
1	TE Cooler (+)
5	LD Anode (+)
7	PD Cathode (+)
8	PD Anode (-)
9	LD Cathode (-)
11	Thermistor
12	Thermistor
14	TE Cooler (-)



<b>Operator</b>	HS
<b>Date</b>	8/5/2004