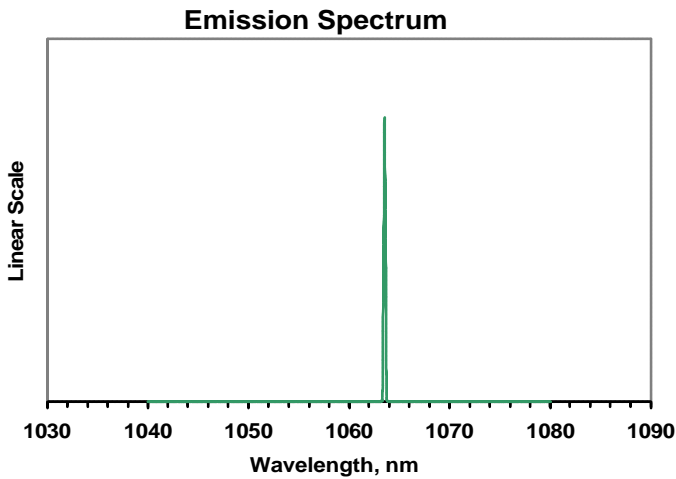
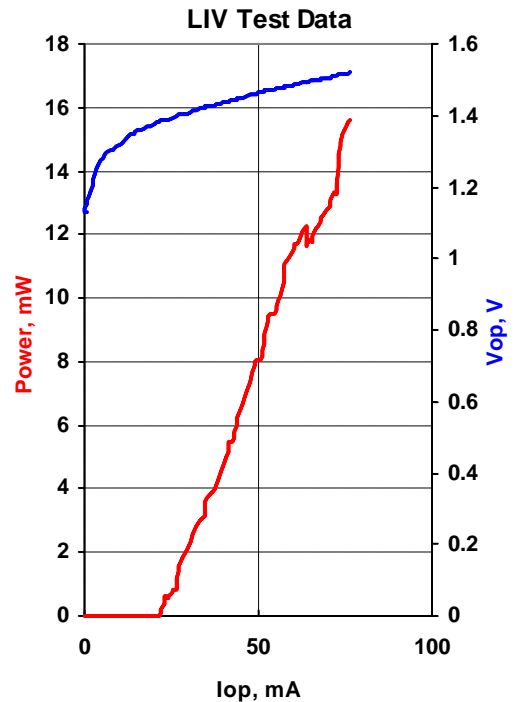




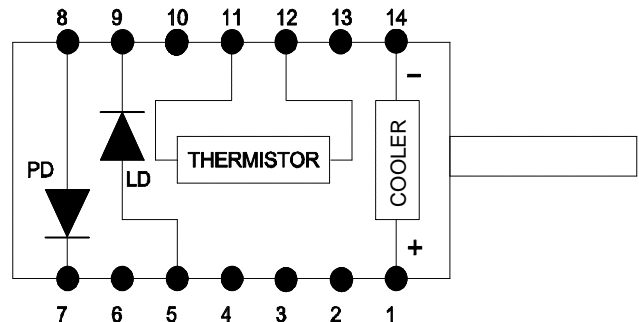
MODEL	QFBGLD-1060-10
PART NUMBER	08.18.19

Parameter	Value	Units
Internal Temperature	25	°C
Thermistor Resistance	10.0	k?
Optical Output Power	10.1	mW
Threshold Current	28	mA
Operating Current	55	mA
Operating Voltage	1.47	V
Monitor Current	0.13	mA
Monitor Dark Current	0	nA
Center Wavelength	1063.6	nm
Spectral Width	<0.01	nm



Fiber Type	HI1060
NA	0.14
Connector	FC/APC

Pin	Connection
1	TE Cooler (+)
5	LD Anode (+)
7	PD Cathode (+)
8	PD Anode (-)
9	LD Cathode (-)
11	Thermistor
12	Thermistor
14	TE Cooler (-)



Operator	
Date	



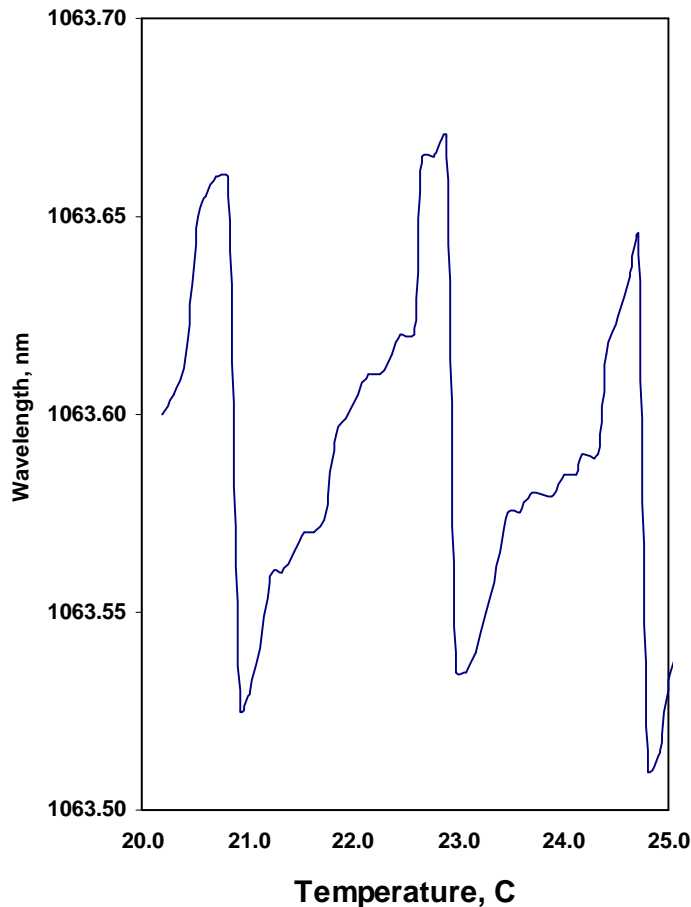
QPHOTONICS, LLC

3830 Packard Road, Phone: 734-477-0133
 Suite 280, Fax: 734-477-0166
 Ann Arbor, MI 48108, Email: info@qphotonics.com
 USA http://www.qphotonics.com

Optical Test Report

MODEL	QFBGLD-1060-5	
PART NUMBER	08.18.19	
Operating Current	55	mA
Fiber Type	HI1060	
Connector	FC/APC	

Wavelength Vs. Temperature



Temperature(C)	Wavelength(nm)	Resistance(K)
20.19	1063.600	12.406
20.31	1063.605	12.337
20.42	1063.615	12.276
20.53	1063.650	12.215
20.61	1063.655	12.169
20.82	1063.660	12.055
20.92	1063.525	12.001
21.02	1063.530	11.948
21.14	1063.545	11.887
21.32	1063.560	11.788
21.45	1063.565	11.719
21.64	1063.570	11.62
21.75	1063.575	11.566
21.85	1063.595	11.513
21.95	1063.600	11.452
22.06	1063.605	11.406
22.27	1063.610	11.299
22.38	1063.615	11.246
22.59	1063.620	11.139
22.78	1063.665	11.047
22.88	1063.670	10.994
23.09	1063.535	10.895
23.18	1063.540	10.849
23.26	1063.550	10.811
23.41	1063.565	10.742
23.49	1063.575	10.704
23.70	1063.580	10.6
23.91	1063.580	10.506
24.13	1063.585	10.407
24.33	1063.590	10.315

Operator	
Date	