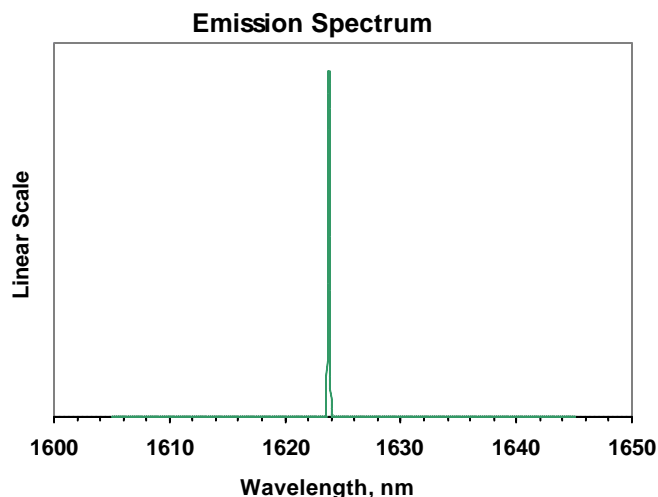
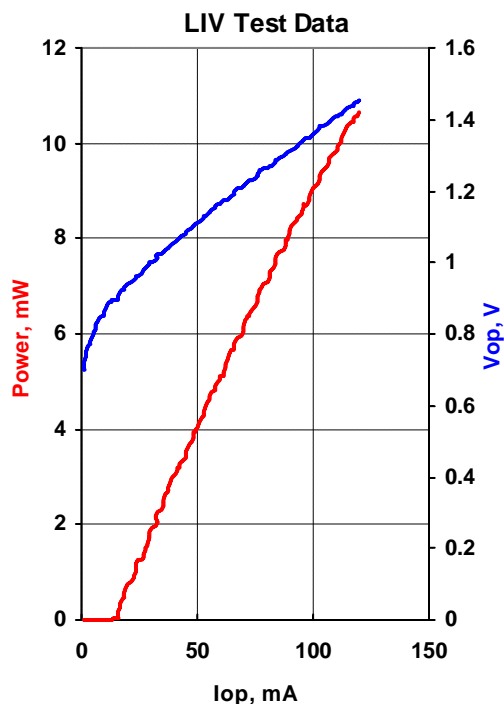




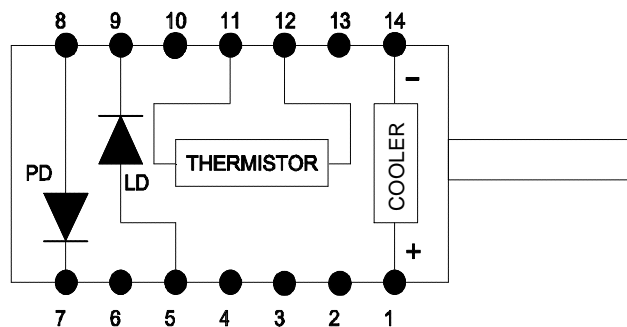
MODEL	QDFBLD-1625-10DIL
PART NUMBER	SAMPLE

Parameter	Value	Units
Internal Temperature	25	°C
Thermistor Resistance	10.0	k?
Optical Output Power	10	mW
Threshold Current	16	mA
Operating Current	111	mA
Maximum Operating Current	122	mA
Operating Voltage	1.41	V
Monitor Current	0.65	mA
Center Wavelength	1623.8	nm
Spectral Width	<0.01	nm



Fiber Type	SMF28
NA	0.13
Connector	

Pin	Connection
1	TE Cooler (+)
5	LD Anode (+)
7	PD Cathode (+)
8	PD Anode (-)
9	LD Cathode (-)
11	Thermistor
12	Thermistor
14	TE Cooler (-)



Operator	
Date	