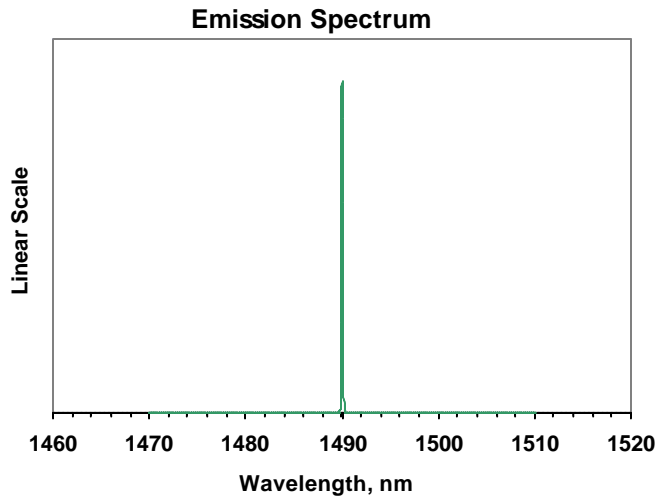
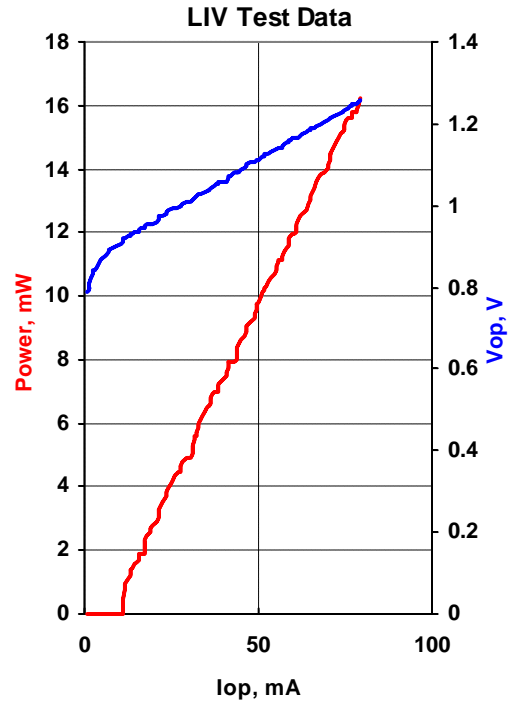




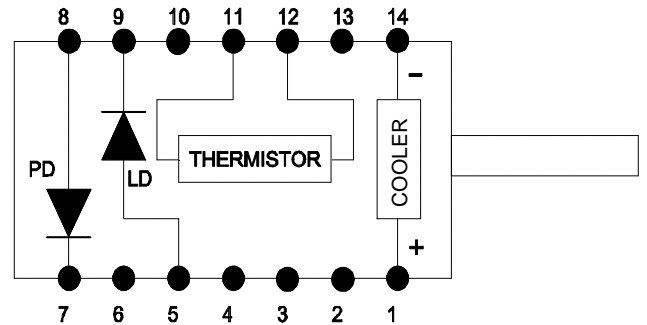
MODEL	QDFBLD-1490-10DIL
PART NUMBER	SAMPLE

Parameter	Value	Units
Internal Temperature	25	°C
Thermistor Resistance	10.0	k?
Optical Output Power	10.2	mW
Threshold Current	11	mA
Operating Current	51	mA
<b>Maximum Operating Current</b>	<b>56</b>	<b>mA</b>
Operating Voltage	1.12	V
Monitor Current	0.76	mA
Center Wavelength	1490	nm
Spectral Width	<0.01	nm



Fiber Type	SMF28
NA	0.13
Connector	

Pin	Connection
1	TE Cooler (+)
5	LD Anode (+)
7	PD Cathode (+)
8	PD Anode (-)
9	LD Cathode (-)
11	Thermistor
12	Thermistor
14	TE Cooler (-)



Operator	
Date	