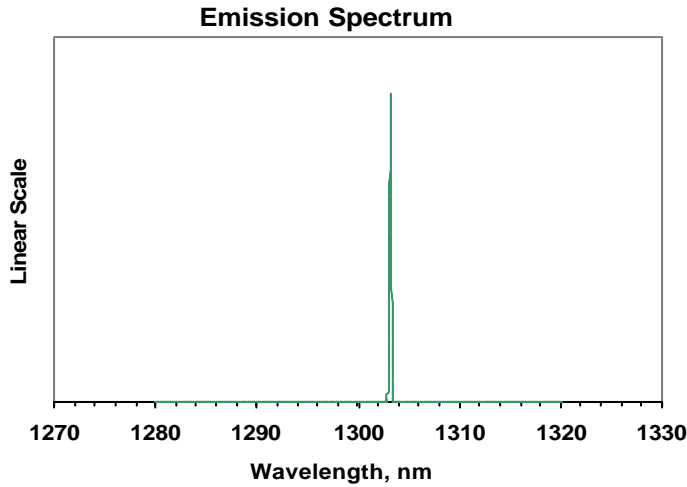
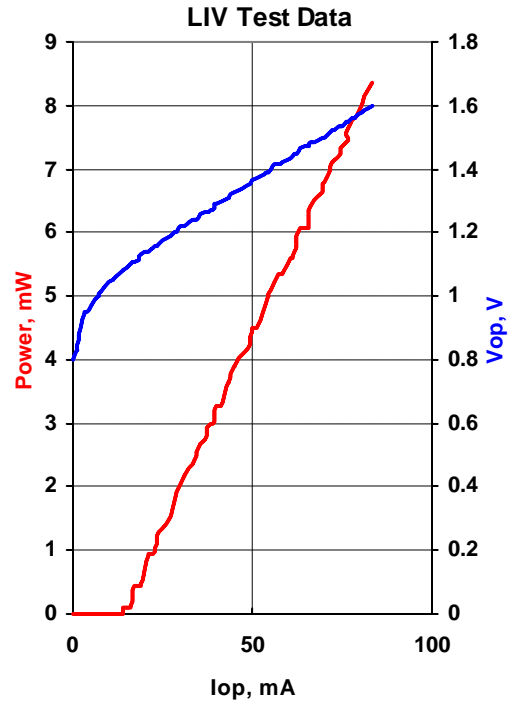




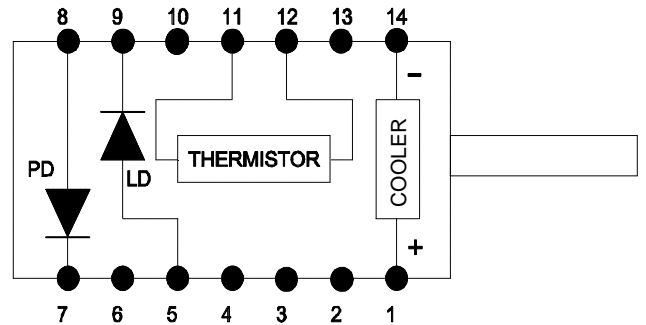
<b>MODEL</b>	QDFBLD-1300-5
<b>PART NUMBER</b>	SAMPLE

Parameter	Value	Units
Internal Temperature	25	°C
Thermistor Resistance	10.0	k?
Optical Output Power	5.1	mW
Threshold Current	16	mA
Operating Current	54	mA
<b>Maximum Operating Current</b>	<b>59</b>	<b>mA</b>
Operating Voltage	1.39	V
Monitor Current	0.07	mA
Center Wavelength	1303.2	nm
Spectral Width	<0.01	nm



<b>Fiber Type</b>	SMF28
<b>NA</b>	0.13
<b>Connector</b>	

Pin	Connection
1	TE Cooler (+)
5	LD Anode (+)
7	PD Cathode (+)
8	PD Anode (-)
9	LD Cathode (-)
11	Thermistor
12	Thermistor
14	TE Cooler (-)



<b>Operator</b>	
<b>Date</b>	