

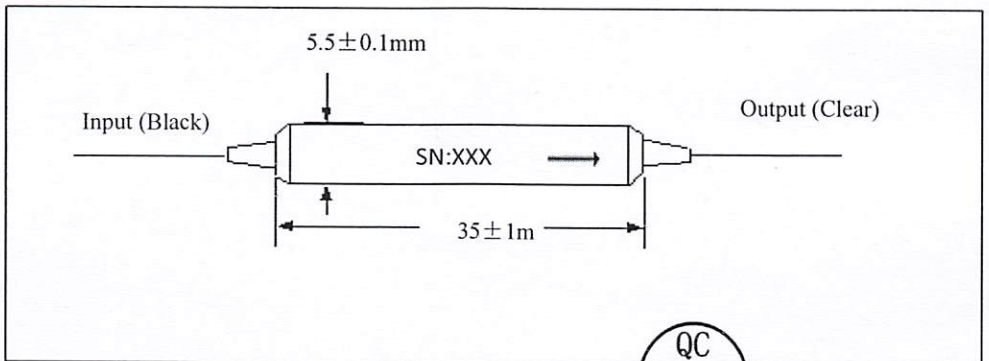
Description: Polarization Maintaining Isolator

Part Number: PMIS-S-1550-F-0-5-1-FA-5

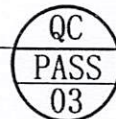
S/N: L8160066

Parameters	Unit	Specification	Test Data
Operating Wavelength	nm	1550	1550
Bandwidth	nm	±20	±20
Insertion Loss	dB	≤0.85	0.49
Extinction Ratio	dB	≥20	23
Isolation	dB	≥28	39
Return Loss	dB	≥50	54
Connector Type		FC/APC	
Fiber Type		SM15-PS-U25D	
Pigtail Type		250um bare fiber	
Axis Description		Slow axis working, fast axis blocked	
Fiber Length	m	1.0	
Optical Power	mW	≤500	
Operating Temperature	°C	-5 to +70	
Storage Temperature	°C	-40 to +80	
Package Dimension	mm	5.5x35	

Package Dimensions:



Tested by: 007



Date: 2021-07-19

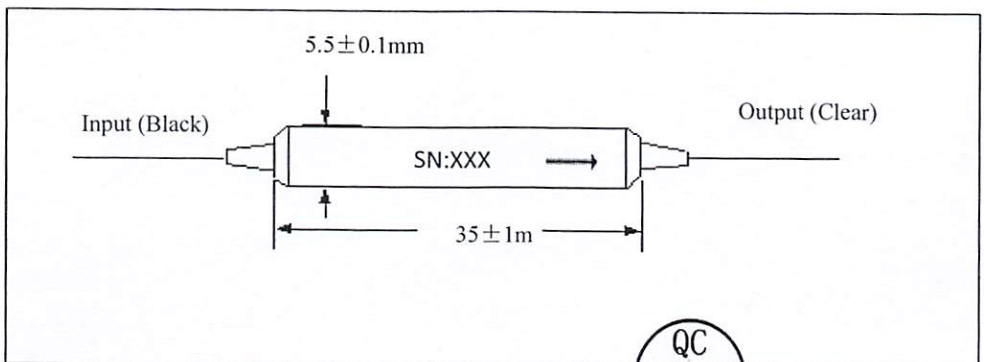
Description: Polarization Maintaining Isolator

Part Number: PMIS-S-1550-F-0-5-1-FA-5

S/N: L8160197

Parameters	Unit	Specification	Test Data
Operating Wavelength	nm	1550	1550
Bandwidth	nm	±20	±20
Insertion Loss	dB	≤0.85	0.70
Extinction Ratio	dB	≥20	23
Isolation	dB	≥28	40
Return Loss	dB	≥50	52
Connector Type		FC/APC	
Fiber Type		SM15-PS-U25D	
Pigtail Type		250um bare fiber	
Axis Description		Slow axis working, fast axis blocked	
Fiber Length	m	1.0	
Optical Power	mW	≤500	
Operating Temperature	°C	-5 to +70	
Storage Temperature	°C	-40 to +80	
Package Dimension	mm	5.5x35	

Package Dimensions:



Tested by: 007



Date: 2021-07-19

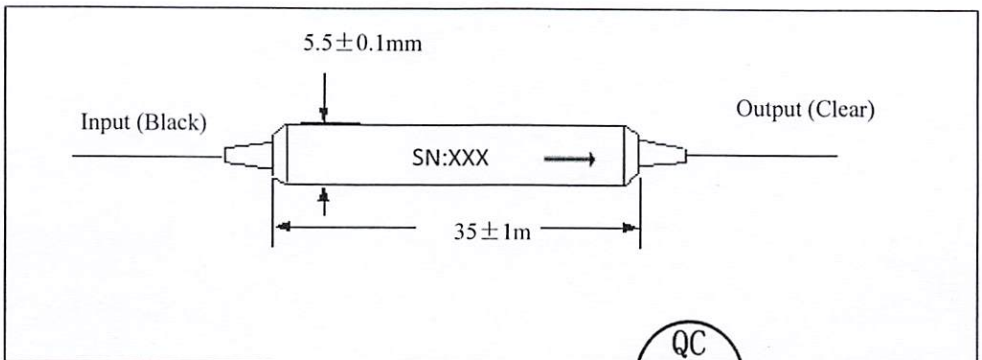
Description: Polarization Maintaining Isolator

Part Number: PMIS-S-1550-F-0-5-1-FA-5

S/N: L8160123

Parameters	Unit	Specification	Test Data
Operating Wavelength	nm	1550	1550
Bandwidth	nm	±20	±20
Insertion Loss	dB	≤0.85	0.72
Extinction Ratio	dB	≥20	29
Isolation	dB	≥28	39
Return Loss	dB	≥50	54
Connector Type		FC/APC	
Fiber Type		SM15-PS-U25D	
Pigtail Type		250um bare fiber	
Axis Description		Slow axis working, fast axis blocked	
Fiber Length	m	1.0	
Optical Power	mW	≤500	
Operating Temperature	°C	-5 to +70	
Storage Temperature	°C	-40 to +80	
Package Dimension	mm	5.5x35	

Package Dimensions:



Tested by: 007



Date: 2021-07-19

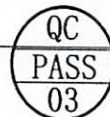
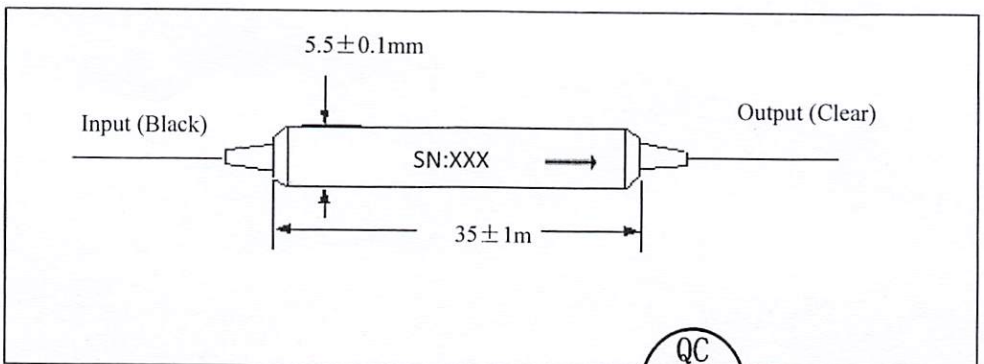
Description: Polarization Maintaining Isolator

Part Number: PMIS-S-1550-F-0-5-1-FA-5

S/N: L8160106

Parameters	Unit	Specification	Test Data
Operating Wavelength	nm	1550	1550
Bandwidth	nm	±20	±20
Insertion Loss	dB	≤0.85	0.58
Extinction Ratio	dB	≥20	27
Isolation	dB	≥28	37
Return Loss	dB	≥50	53
Connector Type		FC/APC	
Fiber Type		SM15-PS-U25D	
Pigtail Type		250um bare fiber	
Axis Description		Slow axis working, fast axis blocked	
Fiber Length	m	1.0	
Optical Power	mW	≤500	
Operating Temperature	°C	-5 to +70	
Storage Temperature	°C	-40 to +80	
Package Dimension	mm	5.5x35	

Package Dimensions:



Tested by: 007

Date: 2021-07-19

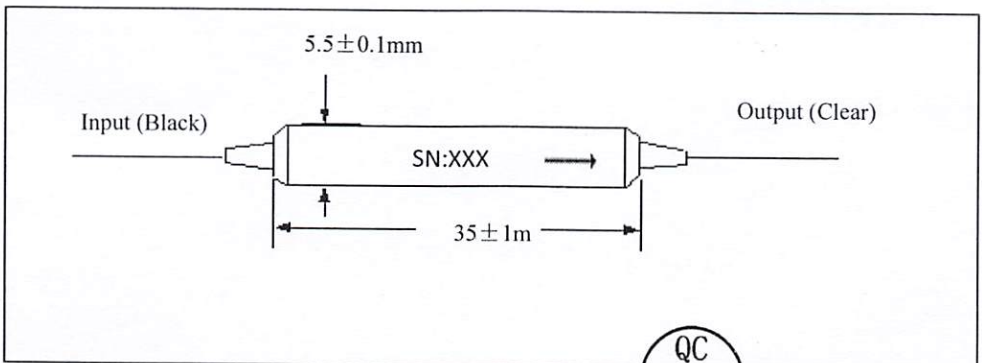
Description: Polarization Maintaining Isolator

Part Number: PMIS-S-1550-F-0-5-1-FA-5

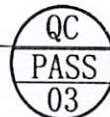
S/N: L8160101

Parameters	Unit	Specification	Test Data
Operating Wavelength	nm	1550	1550
Bandwidth	nm	±20	±20
Insertion Loss	dB	≤0.85	0.66
Extinction Ratio	dB	≥20	30
Isolation	dB	≥28	40
Return Loss	dB	≥50	52
Connector Type		FC/APC	
Fiber Type		SM15-PS-U25D	
Pigtail Type		250um bare fiber	
Axis Description		Slow axis working, fast axis blocked	
Fiber Length	m	1.0	
Optical Power	mW	≤500	
Operating Temperature	°C	-5 to +70	
Storage Temperature	°C	-40 to +80	
Package Dimension	mm	5.5x35	

Package Dimensions:



Tested by: 007



Date: 2021-07-19