

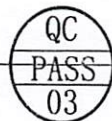
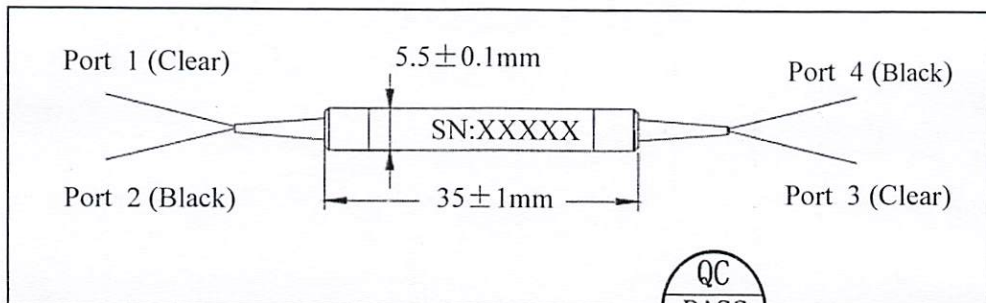
Description: Polarization Maintaining Filter
Coupler

P/N: PMFC-2X2-1550-50-F-0-5-1-FA-5

S/N: L8205816

Parameters	Unit	Specification	Test Data
Operating Wavelength	nm	1550	
Bandwidth	nm	±40	
Coupling Ratio	%	50/50	
Insertion Loss for Port1 to Port3,4	dB	/	3.54/3.47
Insertion Loss for Port3 to Port1,2	dB	/	3.59/3.57
Extinction Ratio for Port1 to Port3,4	dB	≥20	27/37
Extinction Ratio for Port3 to Port1,2	dB	≥20	30/32
Return Loss	dB	≥45	52
Power Handling	mW	300	
Axis Description		Slow axis working, fast axis blocked	
Connector Type		FC/APC	
Fiber Type		SM15-PS-U25D	
Pigtail Type		250um bare fiber	
Fiber Length	m	1.0	
Operating Temperature	°C	-5~+70	
Storage Temperature	°C	-40 ~ +80	
Package Dimension	mm	5.5x35	

Package Dimensions:



Tested by: 007

Date: 2021-07-20

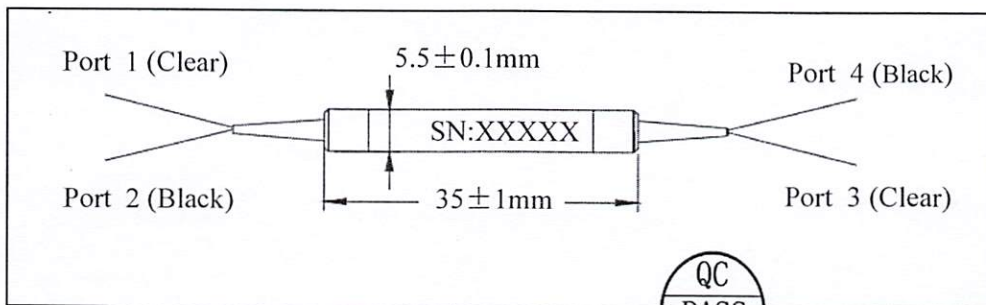
Description: Polarization Maintaining Filter
Coupler

P/N: PMFC-2X2-1550-50-F-0-5-1-FA-5

S/N: L8205882

Parameters	Unit	Specification	Test Data
Operating Wavelength	nm	1550	
Bandwidth	nm	±40	
Coupling Ratio	%	50/50	
Insertion Loss for Port1 to Port3,4	dB	/	3.35/3.64
Insertion Loss for Port3 to Port1,2	dB	/	3.70/3.61
Extinction Ratio for Port1 to Port3,4	dB	≥20	26/25
Extinction Ratio for Port3 to Port1,2	dB	≥20	29/24
Return Loss	dB	≥45	51
Power Handling	mW	300	
Axis Description		Slow axis working, fast axis blocked	
Connector Type		FC/APC	
Fiber Type		SM15-PS-U25D	
Pigtail Type		250um bare fiber	
Fiber Length	m	1.0	
Operating Temperature	℃	-5~+70	
Storage Temperature	℃	-40 ~ +80	
Package Dimension	mm	5.5x35	

Package Dimensions:



Tested by: 007

Date: 2021-07-20

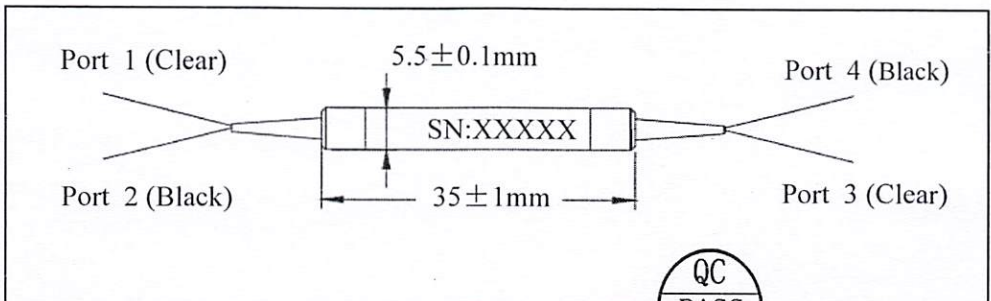
Description: Polarization Maintaining Filter
Coupler

P/N: PMFC-2X2-1550-50-F-0-5-1-FA-5

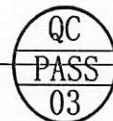
S/N: L8205828

Parameters	Unit	Specification	Test Data
Operating Wavelength	nm	1550	
Bandwidth	nm	±40	
Coupling Ratio	%	50/50	
Insertion Loss for Port1 to Port3,4	dB	/	3.60/3.43
Insertion Loss for Port3 to Port1,2	dB	/	3.50/3.62
Extinction Ratio for Port1 to Port3,4	dB	≥20	29/22
Extinction Ratio for Port3 to Port1,2	dB	≥20	24/20
Return Loss	dB	≥45	53
Power Handling	mW	300	
Axis Description		Slow axis working, fast axis blocked	
Connector Type		FC/APC	
Fiber Type		SM15-PS-U25D	
Pigtail Type		250um bare fiber	
Fiber Length	m	1.0	
Operating Temperature	°C	-5~+70	
Storage Temperature	°C	-40 ~ +80	
Package Dimension	mm	5.5x35	

Package Dimensions:



Tested by: 007



Date: 2021-07-20

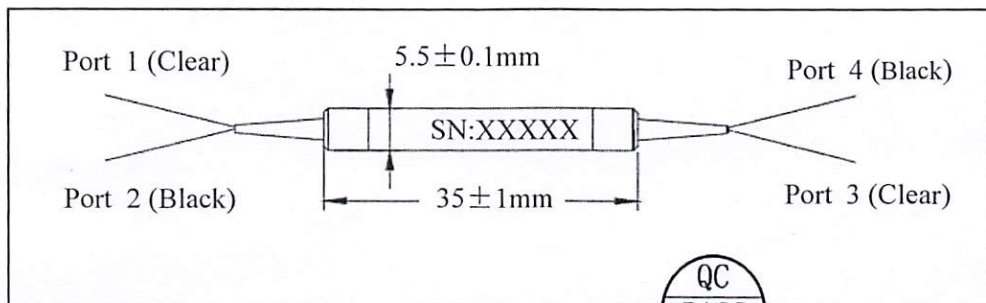
Description: Polarization Maintaining Filter
Coupler

P/N: PMFC-2X2-1550-50-F-0-5-1-FA-5

S/N: L8205823

Parameters	Unit	Specification	Test Data
Operating Wavelength	nm	1550	
Bandwidth	nm	±40	
Coupling Ratio	%	50/50	
Insertion Loss for Port1 to Port3,4	dB	/	3.67/3.70
Insertion Loss for Port3 to Port1,2	dB	/	3.60/3.55
Extinction Ratio for Port1 to Port3,4	dB	≥20	23/26
Extinction Ratio for Port3 to Port1,2	dB	≥20	22/25
Return Loss	dB	≥45	52
Power Handling	mW	300	
Axis Description		Slow axis working, fast axis blocked	
Connector Type		FC/APC	
Fiber Type		SM15-PS-U25D	
Pigtail Type		250um bare fiber	
Fiber Length	m	1.0	
Operating Temperature	°C	-5~+70	
Storage Temperature	°C	-40 ~ +80	
Package Dimension	mm	5.5x35	

Package Dimensions:



Tested by: 007

Date: 2021-07-20

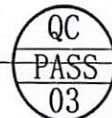
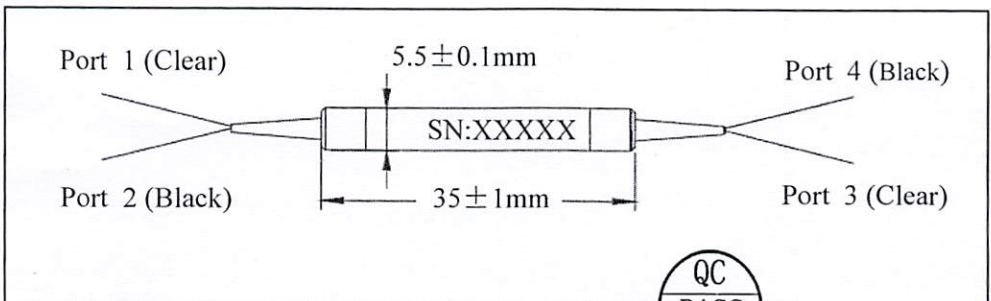
Description: Polarization Maintaining Filter
Coupler

P\N: PMFC-2X2-1550-50-F-0-5-1-FA-5

S/N: L8205873

Parameters	Unit	Specification	Test Data
Operating Wavelength	nm	1550	
Bandwidth	nm	±40	
Coupling Ratio	%	50/50	
Insertion Loss for Port1 to Port3,4	dB	/	3.70/3.67
Insertion Loss for Port3 to Port1,2	dB	/	3.37/3.85
Extinction Ratio for Port1 to Port3,4	dB	≥20	25/30
Extinction Ratio for Port3 to Port1,2	dB	≥20	28/28
Return Loss	dB	≥45	53
Power Handling	mW	300	
Axis Description		Slow axis working, fast axis blocked	
Connector Type		FC/APC	
Fiber Type		SM15-PS-U25D	
Pigtail Type		250um bare fiber	
Fiber Length	m	1.0	
Operating Temperature	°C	-5~+70	
Storage Temperature	°C	-40 ~ +80	
Package Dimension	mm	5.5x35	

Package Dimensions:



Tested by: 007

Date: 2021-07-20