

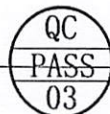
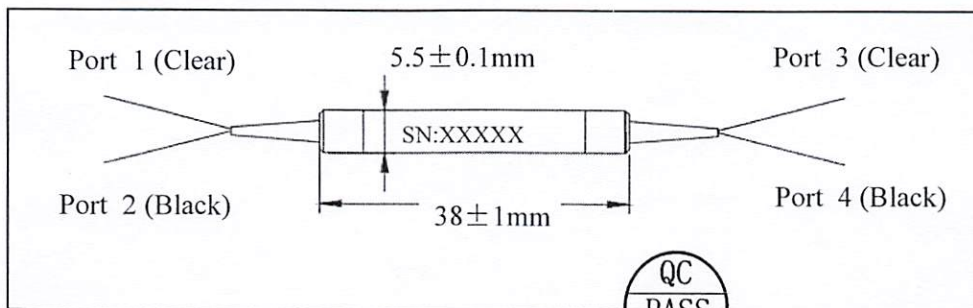
Description: Polarization Maintaining
Filter Coupler

P/N: PMFC-2X2-1550-20-F-0-5-1-FA-5

S/N: L8201352

Parameters	Unit	Specification	Test Data
Operating Wavelength	nm		1550
Bandwidth	nm		±40
Coupling Ratio	%		20/80
Insertion Loss for Port1 to Port3,4	dB	/	1.98/7.68
Insertion Loss for Port3 to Port1,2	dB	/	1.47/7.95
Extinction Ratio for Port1 to Port3,4	dB	≥20	27/24
Extinction Ratio for Port3 to Port1,2	dB	≥20	29/26
Return Loss	dB	≥45	52
Power Handling	mW		≤300
Axis Description		Slow axis working , fast axis blocked	
Connector Type		FC/APC	
Fiber Type		SM15-PS-U25D	
Pigtail Type		250um bare fiber	
Fiber Length	m		1.00
Operating Temperature	°C		-5 ~ +70
Storage Temperature	°C		-40 ~ +80
Package Dimension	mm		5.5x38

Package Dimensions:



Tested by: 007

Date: 2021-07-20

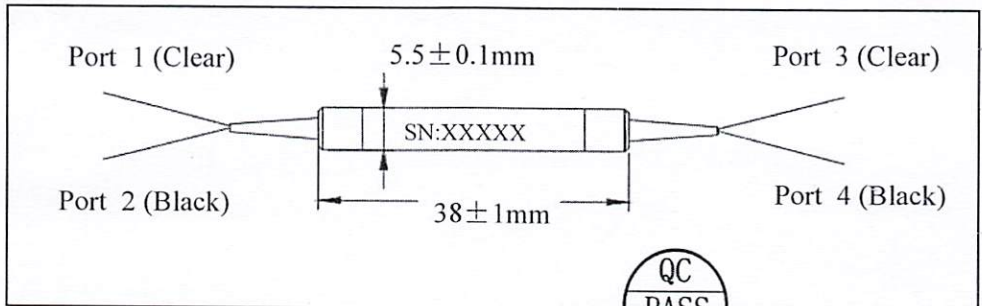
Description: Polarization Maintaining
Filter Coupler

P/N: PMFC-2X2-1550-20-F-0-5-1-FA-5

S/N: L8201358

Parameters	Unit	Specification	Test Data
Operating Wavelength	nm	1550	
Bandwidth	nm	±40	
Coupling Ratio	%	20/80	
Insertion Loss for Port1 to Port3,4	dB	/	1.96/7.83
Insertion Loss for Port3 to Port1,2	dB	/	1.73/7.66
Extinction Ratio for Port1 to Port3,4	dB	≥20	25/27
Extinction Ratio for Port3 to Port1,2	dB	≥20	22/24
Return Loss	dB	≥45	53
Power Handling	mW	≤300	
Axis Description		Slow axis working , fast axis blocked	
Connector Type		FC/APC	
Fiber Type		SM15-PS-U25D	
Pigtail Type		250um bare fiber	
Fiber Length	m	1.00	
Operating Temperature	°C	-5 ~ +70	
Storage Temperature	°C	-40 ~ +80	
Package Dimension	mm	5.5x38	

Package Dimensions:



Tested by: 007

Date: 2021-07-20

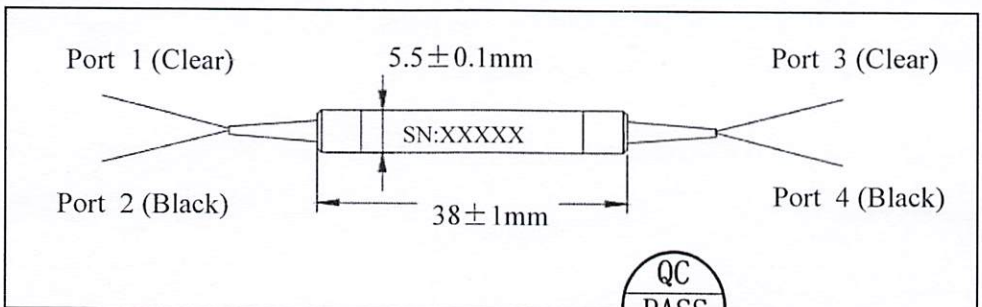
Description: Polarization Maintaining
Filter Coupler

P/N: PMFC-2X2-1550-20-F-0-5-1-FA-5

S/N: L8201359

Parameters	Unit	Specification	Test Data
Operating Wavelength	nm	1550	
Bandwidth	nm	±40	
Coupling Ratio	%	20/80	
Insertion Loss for Port1 to Port3,4	dB	/	1.48/7.33
Insertion Loss for Port3 to Port1,2	dB	/	1.58/7.41
Extinction Ratio for Port1 to Port3,4	dB	≥20	24/22
Extinction Ratio for Port3 to Port1,2	dB	≥20	25/27
Return Loss	dB	≥45	51
Power Handling	mW	≤300	
Axis Description		Slow axis working , fast axis blocked	
Connector Type		FC/APC	
Fiber Type		SM15-PS-U25D	
Pigtail Type		250um bare fiber	
Fiber Length	m	1.00	
Operating Temperature	°C	-5 ~ +70	
Storage Temperature	°C	-40 ~ +80	
Package Dimension	mm	5.5x38	

Package Dimensions:



Tested by: 007

Date: 2021-07-20

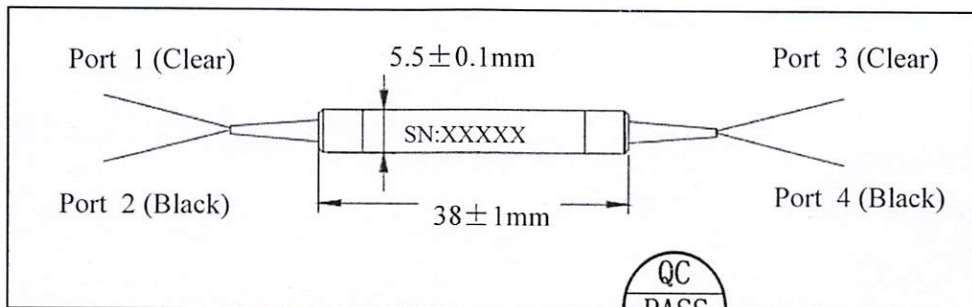
Description: Polarization Maintaining
Filter Coupler

P\N: PMFC-2X2-1550-20-F-0-5-1-FA-5

S/N: L8201351

Parameters	Unit	Specification	Test Data
Operating Wavelength	nm	1550	
Bandwidth	nm	±40	
Coupling Ratio	%	20/80	
Insertion Loss for Port1 to Port3,4	dB	/	1.80/7.51
Insertion Loss for Port3 to Port1,2	dB	/	1.58/7.47
Extinction Ratio for Port1 to Port3,4	dB	≥20	29/28
Extinction Ratio for Port3 to Port1,2	dB	≥20	22/25
Return Loss	dB	≥45	53
Power Handling	mW	≤300	
Axis Description		Slow axis working , fast axis blocked	
Connector Type		FC/APC	
Fiber Type		SM15-PS-U25D	
Pigtail Type		250um bare fiber	
Fiber Length	m	1.00	
Operating Temperature	°C	-5 ~ +70	
Storage Temperature	°C	-40 ~ +80	
Package Dimension	mm	5.5x38	

Package Dimensions:



Tested by: 007

Date: 2021-07-20

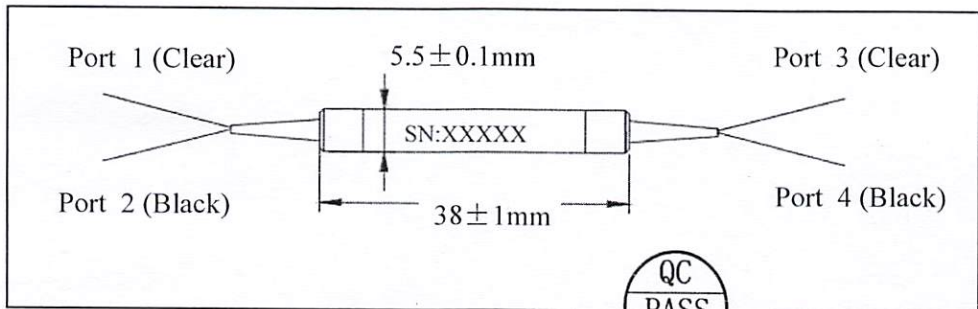
Description: Polarization Maintaining
Filter Coupler

P/N: PMFC-2X2-1550-20-F-0-5-1-FA-5

S/N: L8201354

Parameters	Unit	Specification	Test Data
Operating Wavelength	nm	1550	
Bandwidth	nm	±40	
Coupling Ratio	%	20/80	
Insertion Loss for Port1 to Port3,4	dB	/	1.59/7.72
Insertion Loss for Port3 to Port1,2	dB	/	1.85/7.65
Extinction Ratio for Port1 to Port3,4	dB	≥20	25/22
Extinction Ratio for Port3 to Port1,2	dB	≥20	25/22
Return Loss	dB	≥45	52
Power Handling	mW	≤300	
Axis Description		Slow axis working , fast axis blocked	
Connector Type		FC/APC	
Fiber Type		SM15-PS-U25D	
Pigtail Type		250um bare fiber	
Fiber Length	m	1.00	
Operating Temperature	°C	-5 ~ +70	
Storage Temperature	°C	-40 ~ +80	
Package Dimension	mm	5.5x38	

Package Dimensions:



Tested by: 007

Date: 2021-07-20