

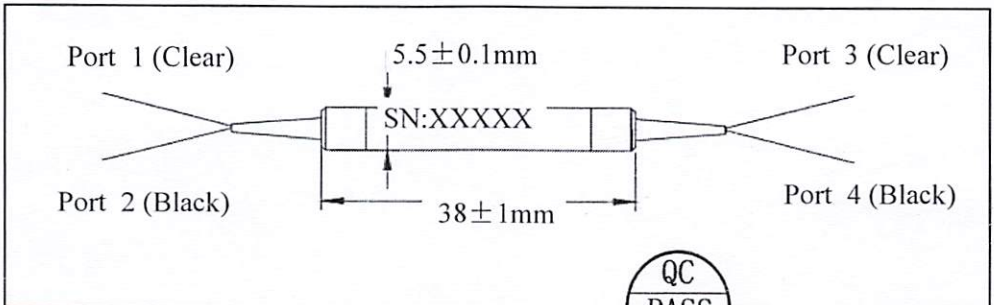
Description: Polarization Maintaining
Filter Coupler

P/N: PMFC-2X2-1550-10-F-0-5-1-FA-5

S/N: L8201528

Parameters	Unit	Specification	Test Data
Operating Wavelength	nm	1550	
Bandwidth	nm	±40	
Coupling Ratio	%	10/90	
Insertion Loss for Port1 to Port3,4	dB	/	1.07/10.54
Insertion Loss for Port3 to Port1,2	dB	/	1.04/10.20
Extinction Ratio for Port1 to Port3,4	dB	≥20	29/25
Extinction Ratio for Port3 to Port1,2	dB	≥20	23/23
Return Loss	dB	≥45	50
Power Handling	mW	≤300	
Axis Description		Slow axis working , fast axis blocked	
Connector Type		FC/APC	
Fiber Type		SM15-PS-U25D	
Pigtail Type		250um bare fiber	
Fiber Length	m	1.00	
Operating Temperature	°C	-5 ~ +70	
Storage Temperature	°C	-40 ~ +80	
Package Dimension	mm	5.5x38	

Package Dimensions:



Tested by: 007

Reviewed by: Zhangjinming

Date: 2021-07-21

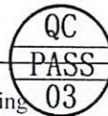
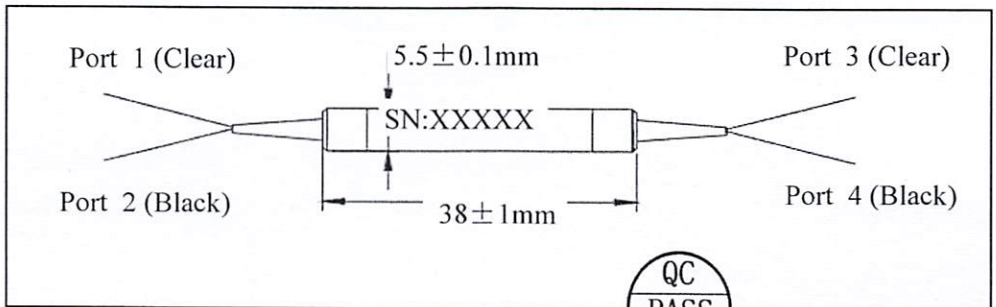
Description: Polarization Maintaining
Filter Coupler

P/N: PMFC-2X2-1550-10-F-0-5-1-FA-5

S/N: L8200590

Parameters	Unit	Specification	Test Data
Operating Wavelength	nm	1550	
Bandwidth	nm	±40	
Coupling Ratio	%	10/90	
Insertion Loss for Port1 to Port3,4	dB	/	1.20/10.31
Insertion Loss for Port3 to Port1,2	dB	/	1.22/10.40
Extinction Ratio for Port1 to Port3,4	dB	≥20	26/29
Extinction Ratio for Port3 to Port1,2	dB	≥20	26/25
Return Loss	dB	≥45	52
Power Handling	mW	≤300	
Axis Description		Slow axis working , fast axis blocked	
Connector Type		FC/APC	
Fiber Type		SM15-PS-U25D	
Pigtail Type		250um bare fiber	
Fiber Length	m	1.00	
Operating Temperature	°C	-5 ~ +70	
Storage Temperature	°C	-40 ~ +80	
Package Dimension	mm	5.5x38	

Package Dimensions:



Tested by: 007

Reviewed by: Zhangjinming

Date: 2021-07-21

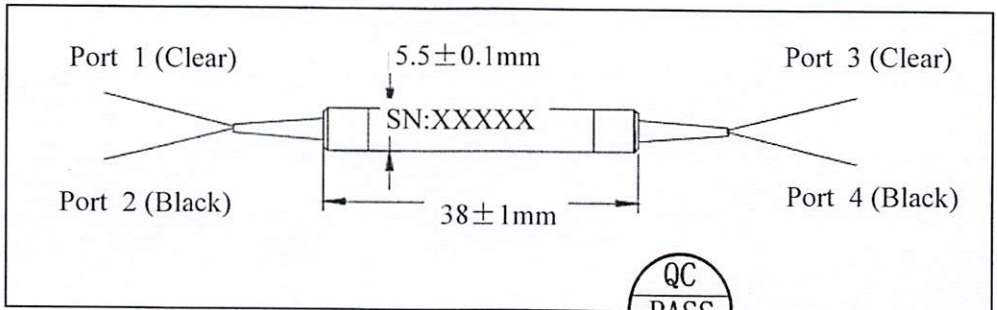
Description: Polarization Maintaining
Filter Coupler

P/N: PMFC-2X2-1550-10-F-0-5-1-FA-5

S/N: L8200594

Parameters	Unit	Specification	Test Data
Operating Wavelength	nm	1550	
Bandwidth	nm	±40	
Coupling Ratio	%	10/90	
Insertion Loss for Port1 to Port3,4	dB	/	1.05/10.49
Insertion Loss for Port3 to Port1,2	dB	/	0.89/10.50
Extinction Ratio for Port1 to Port3,4	dB	≥20	25/23
Extinction Ratio for Port3 to Port1,2	dB	≥20	23/25
Return Loss	dB	≥45	51
Power Handling	mW	≤300	
Axis Description		Slow axis working , fast axis blocked	
Connector Type		FC/APC	
Fiber Type		SM15-PS-U25D	
Pigtail Type		250um bare fiber	
Fiber Length	m	1.00	
Operating Temperature	°C	-5 ~ +70	
Storage Temperature	°C	-40 ~ +80	
Package Dimension	mm	5.5x38	

Package Dimensions:



Tested by: 007

Reviewed by: Zhangjinming

Date: 2021-07-21

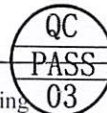
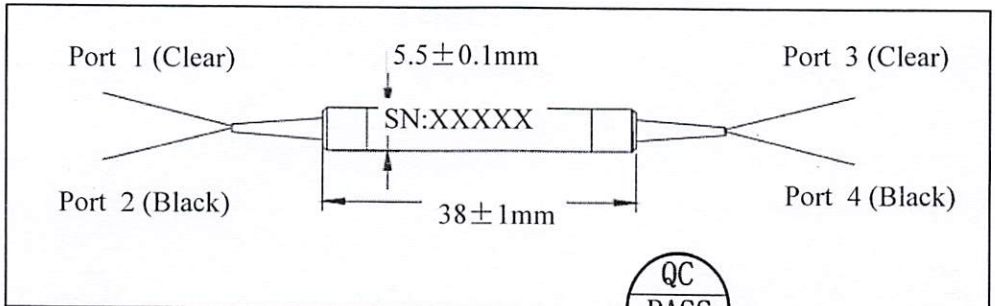
Description: Polarization Maintaining
Filter Coupler

P/N: PMFC-2X2-1550-10-F-0-5-1-FA-5

S/N: L8201638

Parameters	Unit	Specification	Test Data
Operating Wavelength	nm	1550	
Bandwidth	nm	±40	
Coupling Ratio	%	10/90	
Insertion Loss for Port1 to Port3,4	dB	/	1.04/10.74
Insertion Loss for Port3 to Port1,2	dB	/	1.05/10.65
Extinction Ratio for Port1 to Port3,4	dB	≥20	26/22
Extinction Ratio for Port3 to Port1,2	dB	≥20	21/23
Return Loss	dB	≥45	50
Power Handling	mW	≤300	
Axis Description		Slow axis working , fast axis blocked	
Connector Type		FC/APC	
Fiber Type		SM15-PS-U25D	
Pigtail Type		250um bare fiber	
Fiber Length	m	1.00	
Operating Temperature	°C	-5 ~ +70	
Storage Temperature	°C	-40 ~ +80	
Package Dimension	mm	5.5x38	

Package Dimensions:



Tested by: 007

Reviewed by: Zhangjinming

Date: 2021-07-21

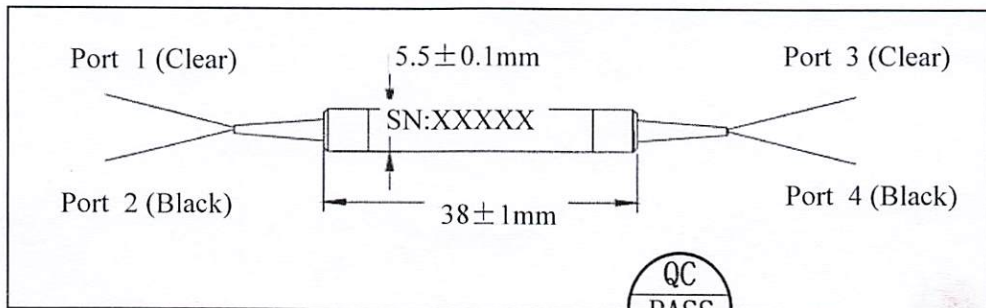
Description: Polarization Maintaining
Filter Coupler

P/N: PMFC-2X2-1550-10-F-0-5-1-FA-5

S/N: L8201302

Parameters	Unit	Specification	Test Data
Operating Wavelength	nm	1550	
Bandwidth	nm	±40	
Coupling Ratio	%	10/90	
Insertion Loss for Port1 to Port3,4	dB	/	1.09/10.80
Insertion Loss for Port3 to Port1,2	dB	/	0.79/10.39
Extinction Ratio for Port1 to Port3,4	dB	≥20	27/23
Extinction Ratio for Port3 to Port1,2	dB	≥20	26/23
Return Loss	dB	≥45	53
Power Handling	mW	≤300	
Axis Description		Slow axis working , fast axis blocked	
Connector Type		FC/APC	
Fiber Type		SM15-PS-U25D	
Pigtail Type		250um bare fiber	
Fiber Length	m	1.00	
Operating Temperature	°C	-5 ~ +70	
Storage Temperature	°C	-40 ~ +80	
Package Dimension	mm	5.5x38	

Package Dimensions:



Tested by: 007

Reviewed by: Zhangjinning

Date: 2021-07-21

