

OIM102-Two Inch FSM



FEATURES:

- Flexure suspension allows stiction free motion of the mirror with an infinite fatigue lifetime
- Built in optical sensor allows the user to monitor both axes of mirror motion
- Moving magnet design allows coils to be heat sunk to the mirror base structure
- New coil design eliminates coil overheating problems, no need to monitor coil temperature
- Removable optical table mounting foot allows easy mounting to standard optical tables
- Mirror coating to customer requirements
- Wave-front quality 1/4th wave rms
 - Substrate 1/4th wave p-v
- Useable aperture 1.8"

Model OIM102 features a 2" glass mirror substrate. Standard coating protected aluminum. Contact Optics In Motion for custom mirror coatings.

A built in high precision optical sensor monitors mirror angle. The compact optical head is attached to a servo controller using a supplied 6 foot cable. The user inputs analog mirror command to the controller to steer the mirror.



Mirror Specifications

Specification	Typical	Units
Dynamic Performance		
Mirror Angular Range (mechanical)	+/- 1.5	degrees
Angular resolution	<2	urads
3dB Bandwidth (user adjustable, factory set ~ 400Hz)	> 750	Hz
Linearity	1%	% Full Scale
Step Response (1 mrad step)	<5	ms
Mirror Substrate		
Material	Fused silica	
Mirror substrate size	2	inches
Coating	Protected Aluminum	
Reflectivity	>85% from 400 – 700nm	
Wavefront quality	$\lambda/4$ @ 633nm	waves rms
Clear Aperture	1.8	inches
Electrical		
Peak power	30	Watts
Mechanical		
Mirror head size	2.3 X 2.3 X 2.2	inches
Weight no foot	9.1	oz
Weight with foot	12.9	oz
Controller size	2.0 X 4.0 X 6.1	inches
Weight	21	oz
Cable from Head to Controller 6 foot	8	oz

Pricing

Complete mirror system (mirror head, controller, cables, and power supply)		
Includes: Fast Steering Mirror Head Protected aluminum mirror substrate* Analog Servo Controller 6 foot cable FSM to Controller Table top power supply	OIM102	\$4100

* Add \$100 for protected gold or silver coatings. Contact Optics In Motion to obtain a price for other mirror coatings.

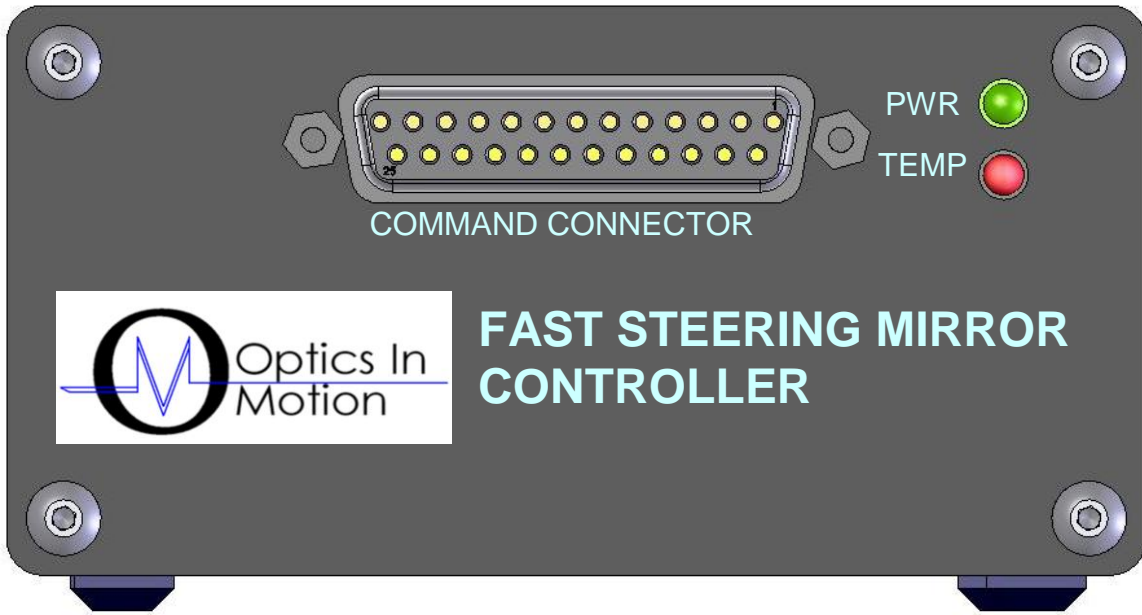


Figure 1: Controller Front View

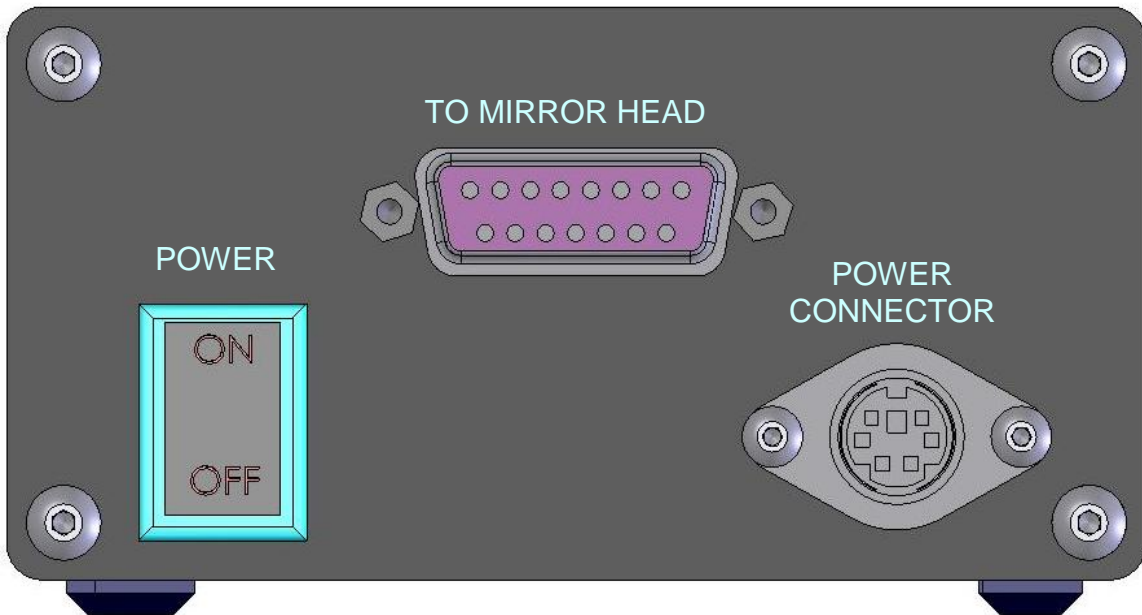
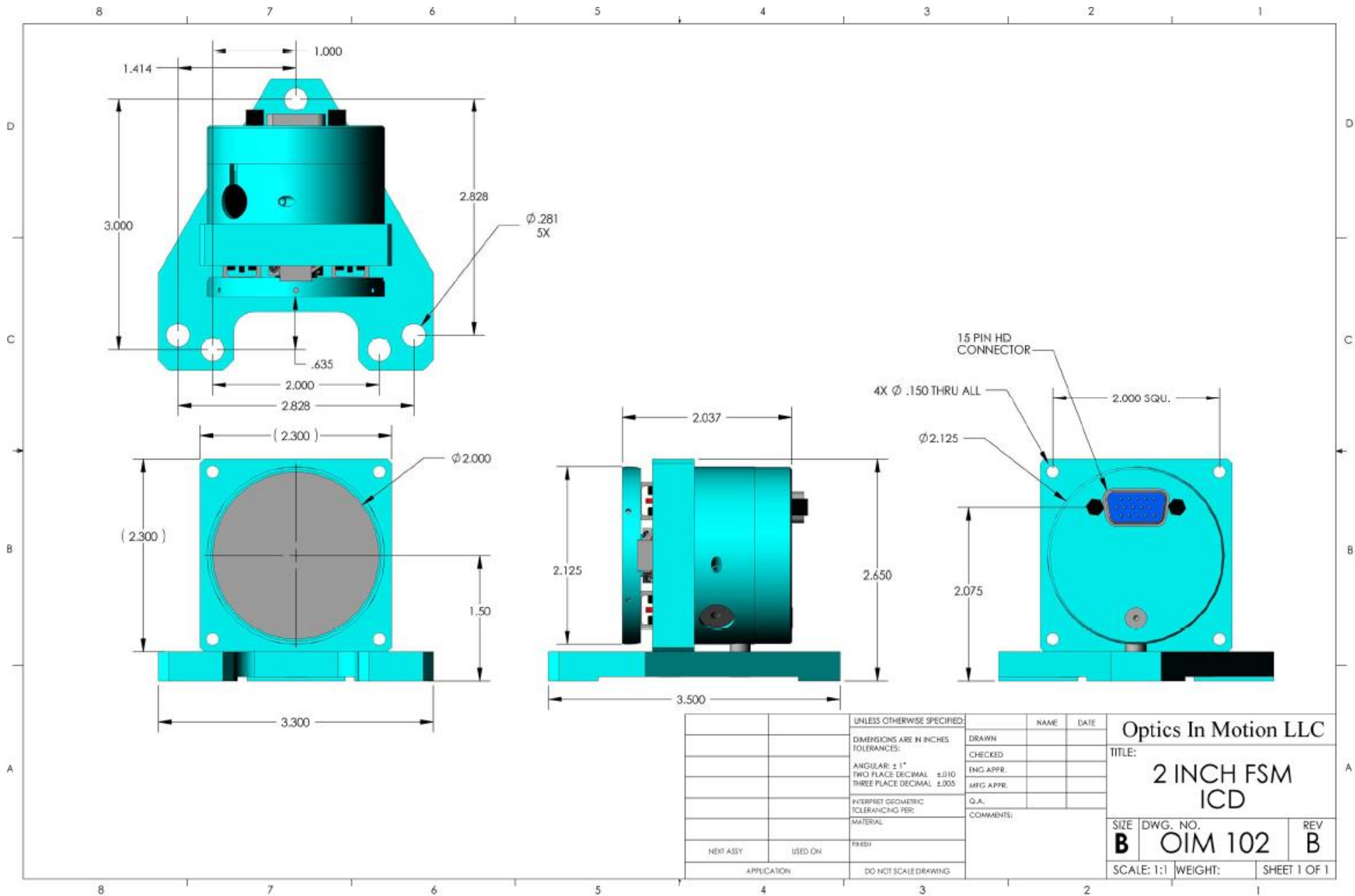
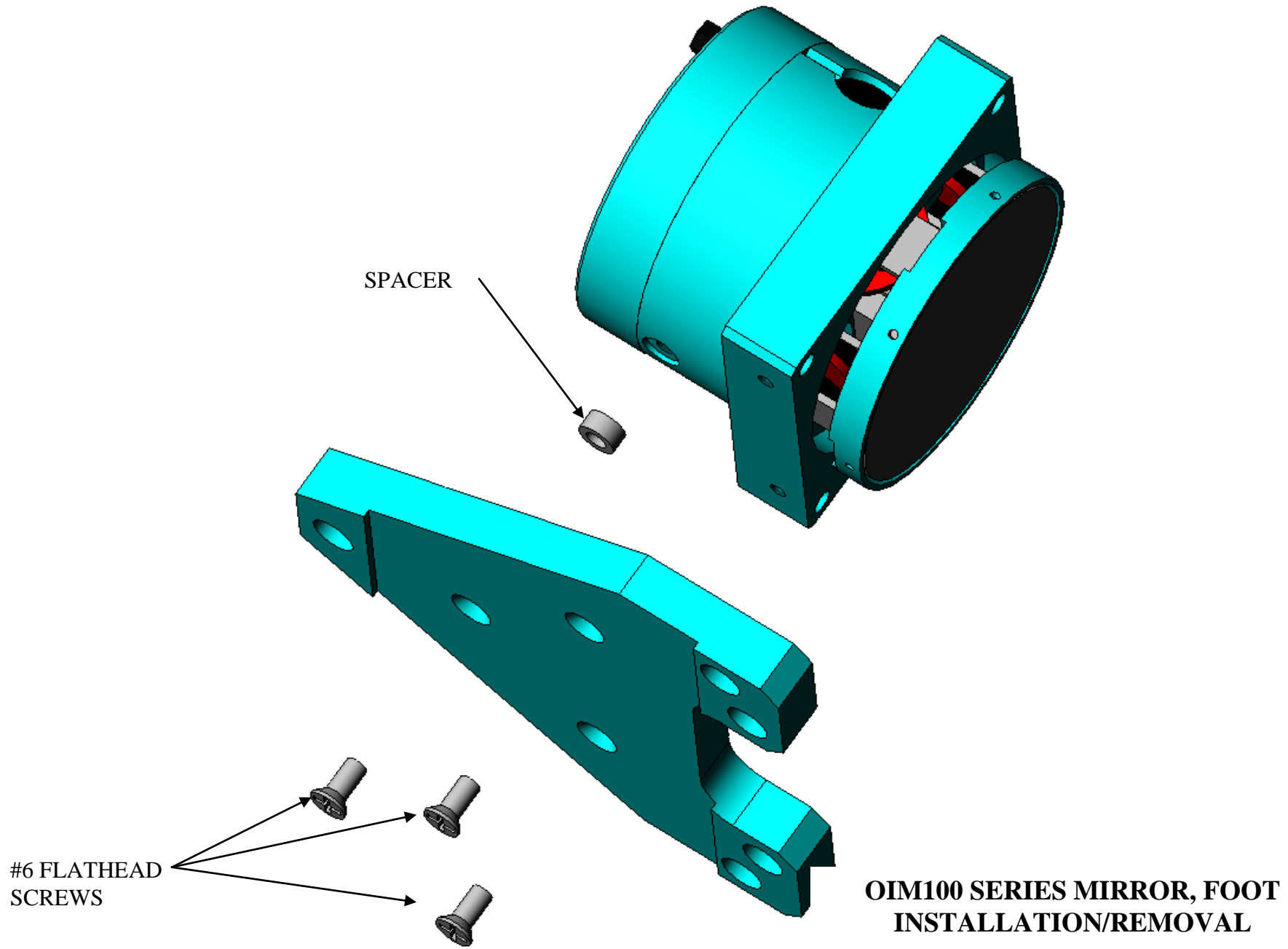


Figure 2: Controller Rear View



		UNLESS OTHERWISE SPECIFIED:	NAME	DATE	Optics In Motion LLC
		DIMENSIONS ARE IN INCHES	DRAWN		
		TOLERANCES:	CHECKED		2 INCH FSM ICD
		ANGULAR: $\pm 1^\circ$	ENG APPR.		SIZE DWG. NO. REV
		TWO PLACE DECIMAL ± 0.10	MFG APPR.		B OIM 102 B
		THREE PLACE DECIMAL ± 0.005	Q.A.		SCALE: 1:1 WEIGHT: SHEET 1 OF 1
		FIT/FORM/GEOMETRIC TOLERANCING PER:	COMMENTS:		
		MATERIAL:			
NEXT ASSY	USED ON	FINISH			
APPLICATION		DO NOT SCALE DRAWING			

Optics In Motion LLC, 4223 Rutgers Ave, Long Beach, CA 90808
 (562) 481-7103, E-Mail: sales@opticsinmotion.net



Optics In Motion LLC, 4223 Rutgers Ave, Long Beach, CA 90808
(562) 481-7103, E-Mail: sales@opticsinmotion.net

Command Connector Wiring Table

25-Socket Sub-miniature D Connector

Pin Number	Signal Name	I/O Type	Description
1	X ERROR	Output	X summing junction error voltage output, difference between commanded and actual position. (referenced to ground)
2	INT/EXT SWITCH	Input	Normally low TTL input. High level switches the position feedback input from local to external. (used with input pins 10,11 and 17, 5)
3	X- COMMAND	Input	X mirror position command. Low side of differential command input. Range +/-10 Volts.
4	X+ COMMAND	Input	X mirror position command. High side of differential command input. Range +/-10 Volts.
5	X- EXTERNAL	Input	X external mirror position. Low side of differential position input (from external quad or similar position sensor)
6	GND	Output	Ground Reference
7	-15 VOLTS	Output	-15 VDC for external loads of less than 100ma.
8	RESERVED		
9	N/C		
10	Y+ EXTERNAL	Input	Y external mirror position. High side of differential position input (from external quad or similar position sensor)
11	Y- EXTERNAL	Input	Y external mirror position. Low side of differential position input (from external quad or similar position sensor)
12	Y- COMMAND	Input	Y mirror position command. Low side of differential command input. Range +/-10 Volts.
13	Y+ COMMAND	Input	Y mirror position command. High side of differential command input. Range +/-10 Volts.
14	X POSITION	Output	X mirror angular position readout from local position sensor. (referenced to ground)
15	+5 VOLTS	Output	5 VDC for external loads of less than 100ma.
16	GND	Output	Ground Reference
17	X+ EXTERNAL	Input	X external mirror position Low side of differential position input (from external quad or similar position sensor)
18	RESERVED		
19	+15 VOLTS	Output	+15 VDC for external loads of less than 100ma.
20	GND	Output	Ground Reference
21	RESERVED		
22	GND	Output	Ground Reference
23	Y POSITION	Output	Y mirror angular position readout from local position sensor. (referenced to ground)
24	Y ERROR	Output	Y summing junction error voltage output, difference between commanded and actual position. (referenced to ground)
25	RESERVED		