

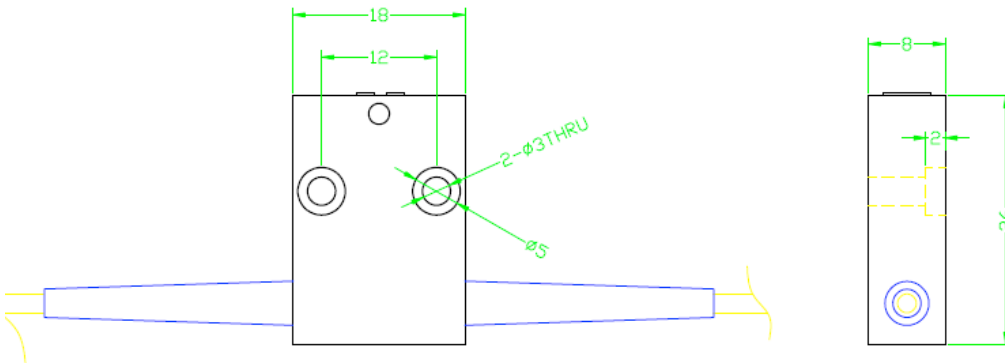
## Multimode Manual Variable Optical Attenuator (MVOA)

<b>Features</b>	
High precision Wide attenuation range Low Insertion Loss Compact size	
<b>Application</b>	
Optical communication systems test Optics lab use	

### Specifications:

Parameter	Type	850, 1310
Wavelength (nm)		850 ± 40 or 1310 ± 40
Attenuation range (dB)		0.8 ~ 40
Insertion Loss (dB)		≤0.8
Return loss (dB)		≥30
Fiber Type		Multimode fiber 50/125 or 62.5/125
Adjustment Precision (dB)		0.02
PDL (dB)		≤0.15
Operating temperature (□)		0 ~ +70
Storage temperature (□)		-40 ~ +85
Dimension (mm)		26 x 16 x 8

### Package Dimensions



### Ordering Information

MVOA	Wavelength	Adjustment Type	Pigtail Type	Fiber Type	Length	Connector
	850 1310	1=Hand adjustment	900=900um tube 2000=2mm tube 3000=3mm tube	2=50/125 3=62.5/12.5	1= 1m	NE=None FA=FC/APC FC=FC/UPC SA=SC/APC SC=SC/UPC LC=LC/UPC LA=LC/APC XX=Other