



**maxphotonics Co. Ltd.**

d: Mingschin Industrial Park, No 3 Industrial Zone, Heyi Cun,  
Shajing Town, Bao'an, Shenzhen, China 518104

Tel: +86-755-86261625 ext 819

Fax: +86-755-29902782

Homepage: [www.maxphotonics.com](http://www.maxphotonics.com)

E-mail: [catherine@maxphotonics.com](mailto:catherine@maxphotonics.com)

**MFSC Series Fiber laser -- CW Single Model**

	Unit	MFSC-500	MFSC-800	MFSC-1000L
Mode of operation		CW	CW	CW
Polarization		Random	Random	Random
Central emission wavelength	nm	1080±4	1080±4	1080±4
Nominal output power	W	500	800	1000
Output power tunability	%	10 ~ 100	10 ~ 100	10 ~ 100
Output power stability	%	≤5	≤5	≤5
Output fiber length	m	5~20	5~20	5~20
Operating Voltage (AC)	V	220VAC	220VAC	220VAC
Maximum power consumption @20°C	KW	<2	<3	<4
Weight	kg	55	65	65
Cooling		Water cooling	Water cooling	Water cooling
Size(L*W*H)	mm	728*490*174	750*483*169	750*483*169

Application: To cut a variety of metal material, including carbon steel, silicon steel, stainless steel, aluminum alloy, titanium alloy, galvanized sheet, pickling plate, aluminum zinc plate, copper

**Kokyo**  
株式会社光響

住所：京都市下京区烏丸通四条下ル水銀屋町637番地第5長谷ビル2階

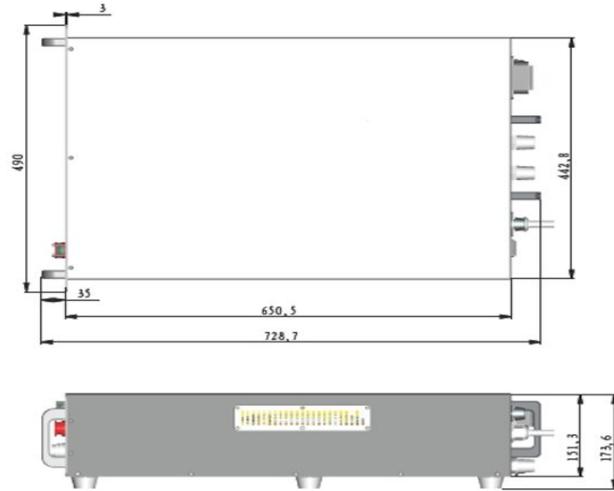
Email : [info@symphotony.com](mailto:info@symphotony.com)

TEL : 070-6582-2430

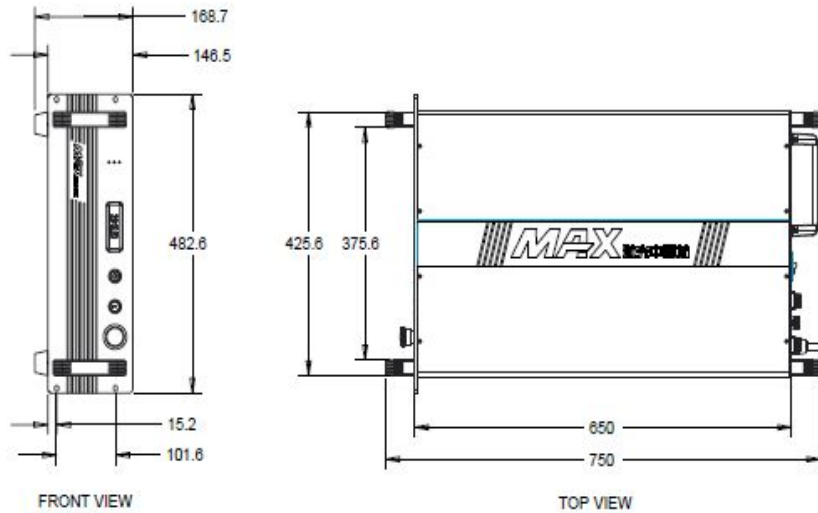
Web : <http://www.symphotony.com/>

FAX : 075-320-1604

### 500W



### 800W / 1000L



REAR VIEW



**Kokyo**  
株式会社光響

住所：京都市下京区烏丸通四条下ル水銀屋町637番地第5長谷ビル2階

Email : [info@symphotony.com](mailto:info@symphotony.com)

TEL : 070-6582-2430

Web : <http://www.symphotony.com/>

FAX : 075-320-1604