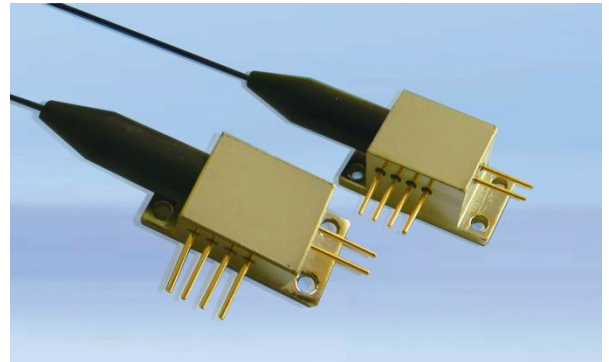


976nm Fiber-coupled Diode Laser

By utilizing specialized fiber-coupling techniques, the manufactured diode laser modules have a high efficiency, stability and superior beam quality. The modules are achieved by transforming the asymmetric radiation from the laser diode chip into an output fiber with small core diameter by using special micro optics. Inspection and burn-in procedures guarantee reliability, stability and long lifetime of each modules.



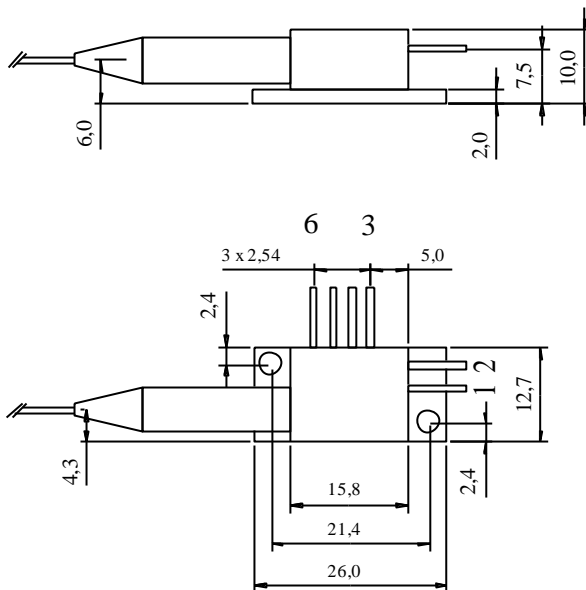
Features

- 9W output power
- 105µm, NA 0.22 optical fiber
- Thermistor and Photodiode

Applications

- Fiber laser pumping
- Scientific research

Package Dimension



Pin	Function
1	LD +
2	LD -
3	NTC
4	NTC
5	PD (N)
6	PD (P)



Module Specifications

Model	M976±0.5-9-F105/22-T1-P	
Optical parameters	Unit	Typical
Output power	W	9
Central wavelength	nm	976
Wavelength tolerance	nm	± 0.5
Spectral width (FWHM)	nm	<0.5
Wavelength shift - Temp.	nm/°C	~0.02
Feedback protection 1030-1100nm	dB	>40
Fiber parameters		
Fiber core diameter	µm	105
Fiber cladding diameter	µm	125
Numerical aperture	-	0.22
Fiber length	m	1 or 2 ± 0.1
Fiber connector (optional)	-	SMA905
Electric parameters		
Threshold current	A	1.0
Operating current	A	11.0
Operating voltage	V	1.72
Power conversion efficiency	%	47
Other parameters		
Thermistor	-	10kΩ @ 25°C
Operating temperature (Thermistor)	°C	25 - 35
Operating relative humidity	%	max. 75
Storage temperature	°C	-20 – +80
Storage relative humidity	%	max. 90
Soldering temperature	°C	250 (10s)

- Notes: 1. Module specifications and dimension are subject to change without notice.
 2. ESD precautions must be taken.
 3. The minimum fiber bend diameter should be 300 times greater than the fiber cladding diameter.
 4. Reduced lifetime if improperly used or used above operating conditions.

Compliance with Regulatory Requirements: This industrial laser is an OEM version of a diode laser. As such, it is intended only for integration into other equipment. This laser does not comply with IEC and CDRH requirements. The customer is responsible for IEC and CDRH certifications of the system that incorporates this industrial laser.

