

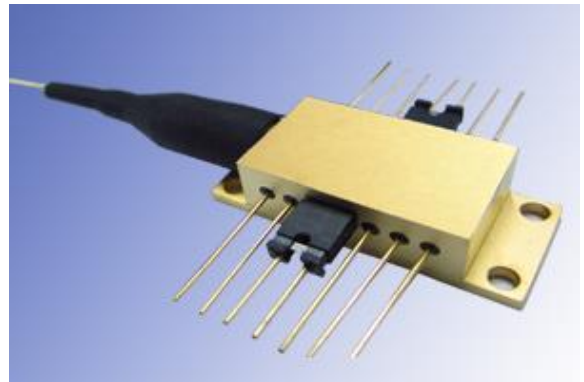
808nm Wavelength Stabilized Laser Diode

Features

- 3.0W output power
- 105µm fiber core
- TEC, photodiode and thermistor

Application

- Solid-state laser pumping



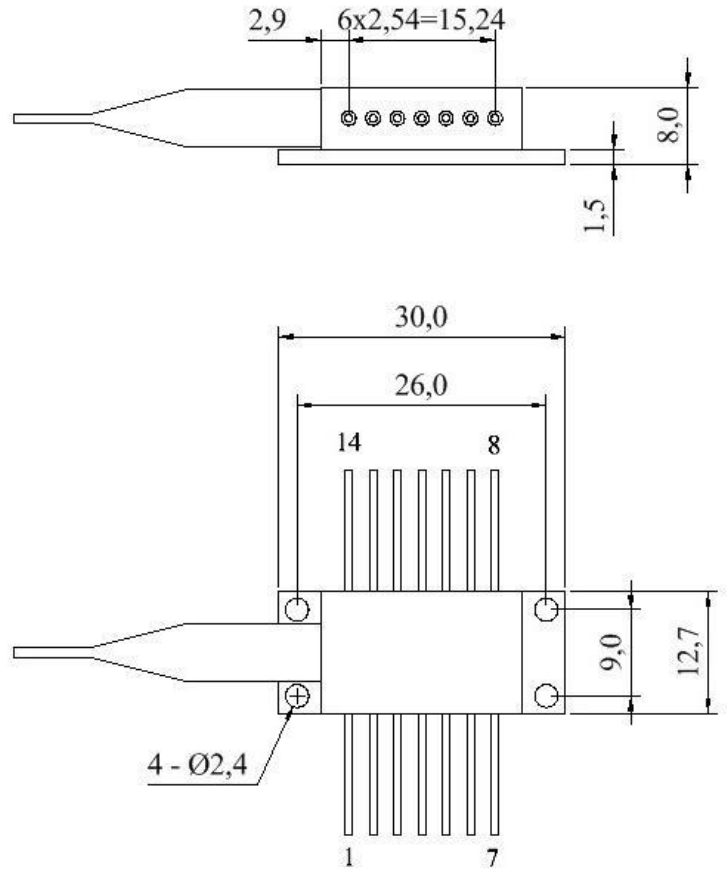
Model	M808±0.5-3.5-F105/22-R1-TP	
Optical parameters	Unit	
Output power	W	3.0
Central wavelength	nm	808
Wavelength tolerance	nm	± 1.0
Spectral width (FWHM)	nm	< 1.0
Fiber parameters		
Fiber core diameter	µm	105
Numerical aperture		0.22
Fiber connector (optional)	-	SMA905
Electric parameters		
Threshold current	A	0.80
Operating current	A	4.0
Operating voltage	V	1.8
Slope efficiency	W/A	1.0
Accessories		
TEC		2.2A/8.7V
Thermistor	Ω	10k@25°C
Other parameters		
Operating temperature (NTC)	°C	30 – 40
Operating humidity	%	< 75
Storage temperature	°C	-20 – +80
Soldering temperature	°C	250 (10s)

Compliance with Regulatory Requirements: This industrial laser is an OEM version of a laser diode. As such, it is intended only for integration into other equipment. This laser does not comply with IEC and CDRH requirements. The customer is responsible for IEC and CDRH certifications of the system that incorporates this industrial laser.



Package dimension (mm)

Pin	Function
1	TEC +
2	Thermistor
3	Photodiode P
4	Photodiode N
5	Thermsitor
6	-
7	-
8	-
9	-
10	Laser diode +
11	Laser diode -
12	-
13	Case
14	TEC -



Spectrum

