

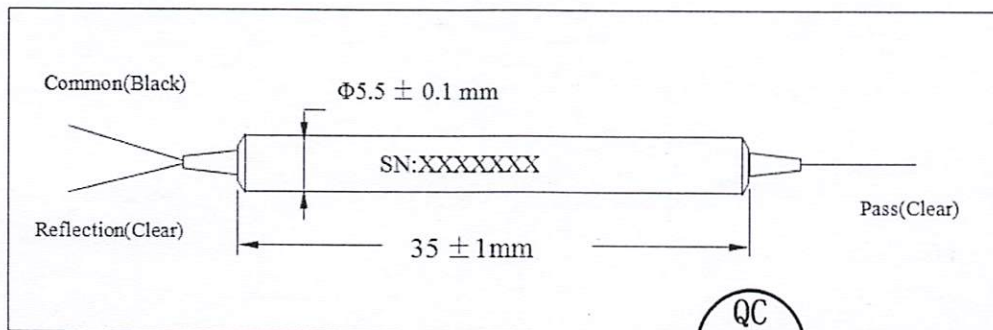
Description: Filter WDM

Part Number: FWDM-5598-0000-1-1-1-0

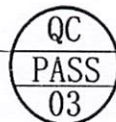
S/N: L8205608

Parameters	Unit	Specification	Test Data
Pass Band Wavelength Range	nm	1520-1600	1520-1600
Insertion Loss for Pass Channel	dB	≤1.10	0.55
Reflection Band Wavelength Range	nm	960-990	960-990
Insertion Loss for Reflection Channel	dB	≤0.90	0.40
Isolation for Pass Channel	dB	≥25	35
Isolation for Reflection Channel	dB	≥13	23
PDL	dB	≤0.10	0.03
Return Loss	dB	≥45	53
Directivity	dB	≥55	58
Connector Type		FC/APC	
Fiber Type		Reflection/Common:HI1060,Pass:SMF-28e	
Pigtail Type		250um bare fiber	
Fiber Length	m	1.0	
Power Handling	mW	≤500	
Operating Temperature	°C	0 to +70	
Storage Temperature	°C	-40 to +85	
Package Dimension	mm	5.5×35	

Package Dimensions:



Tested by: 007



Date: 2021-07-19

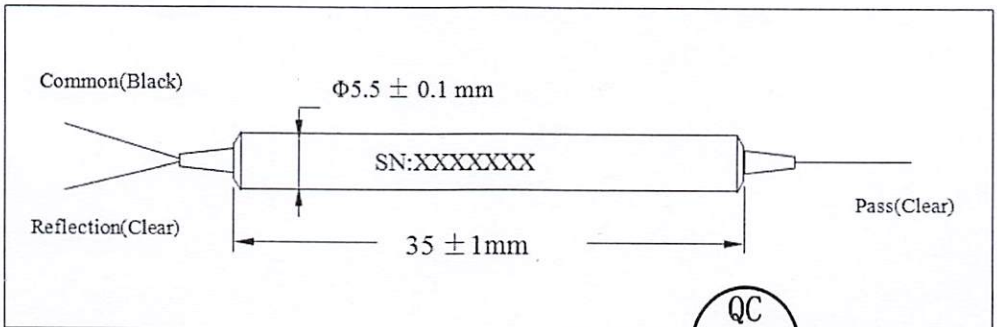
Description: Filter WDM

Part Number: FWDM-5598-0000-1-1-1-0

S/N: L8205700

Parameters	Unit	Specification	Test Data
Pass Band Wavelength Range	nm	1520-1600	1520-1600
Insertion Loss for Pass Channel	dB	≤1.10	0.83
Reflection Band Wavelength Range	nm	960-990	960-990
Insertion Loss for Reflection Channel	dB	≤0.90	0.28
Isolation for Pass Channel	dB	≥25	35
Isolation for Reflection Channel	dB	≥13	24
PDL	dB	≤0.10	0.03
Return Loss	dB	≥45	52
Directivity	dB	≥55	58
Connector Type		FC/APC	
Fiber Type		Reflection/Common:HI1060,Pass:SMF-28e	
Pigtail Type		250um bare fiber	
Fiber Length	m	1.0	
Power Handling	mW	≤500	
Operating Temperature	°C	0 to +70	
Storage Temperature	°C	-40 to +85	
Package Dimension	mm	5.5×35	

Package Dimensions:



Tested by: 007

Date: 2021-07-19

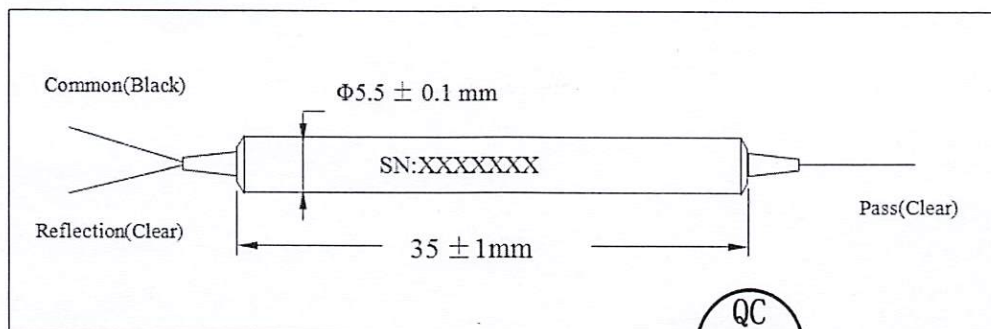
Description: Filter WDM

Part Number: FWDM-5598-0000-1-1-1-0

S/N: L8205860

Parameters	Unit	Specification	Test Data
Pass Band Wavelength Range	nm	1520-1600	1520-1600
Insertion Loss for Pass Channel	dB	≤1.10	0.83
Reflection Band Wavelength Range	nm	960-990	960-990
Insertion Loss for Reflection Channel	dB	≤0.90	0.34
Isolation for Pass Channel	dB	≥25	34
Isolation for Reflection Channel	dB	≥13	22
PDL	dB	≤0.10	0.02
Return Loss	dB	≥45	52
Directivity	dB	≥55	57
Connector Type		FC/APC	
Fiber Type		Reflection/Common:HI1060,Pass:SMF-28e	
Pigtail Type		250um bare fiber	
Fiber Length	m	1.0	
Power Handling	mW	≤500	
Operating Temperature	°C	0 to +70	
Storage Temperature	°C	-40 to +85	
Package Dimension	mm	5.5×35	

Package Dimensions:



Tested by: 007



Date: 2021-07-19

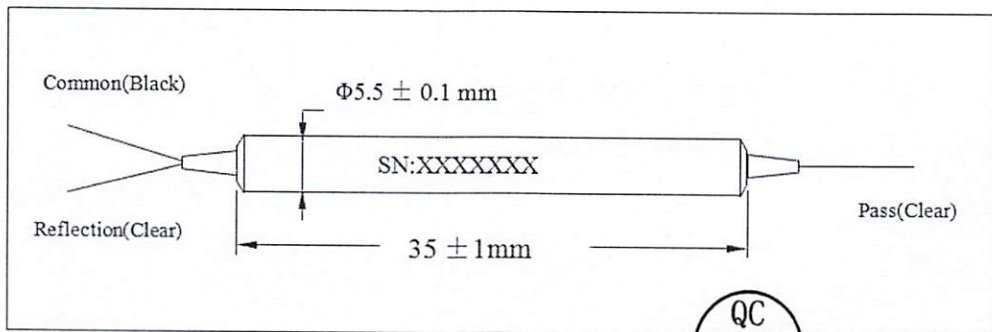
Description: Filter WDM

Part Number: FWDM-5598-0000-1-1-1-0

S/N: L8205517

Parameters	Unit	Specification	Test Data
Pass Band Wavelength Range	nm	1520-1600	1520-1600
Insertion Loss for Pass Channel	dB	≤1.10	0.59
Reflection Band Wavelength Range	nm	960-990	960-990
Insertion Loss for Reflection Channel	dB	≤0.90	0.27
Isolation for Pass Channel	dB	≥25	35
Isolation for Reflection Channel	dB	≥13	23
PDL	dB	≤0.10	0.03
Return Loss	dB	≥45	52
Directivity	dB	≥55	57
Connector Type		FC/APC	
Fiber Type		Reflection/Common:HI1060,Pass:SMF-28e	
Pigtail Type		250um bare fiber	
Fiber Length	m	1.0	
Power Handling	mW	≤500	
Operating Temperature	°C	0 to +70	
Storage Temperature	°C	-40 to +85	
Package Dimension	mm	5.5×35	

Package Dimensions:



Tested by: 007

Date: 2021-07-19

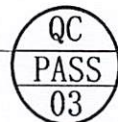
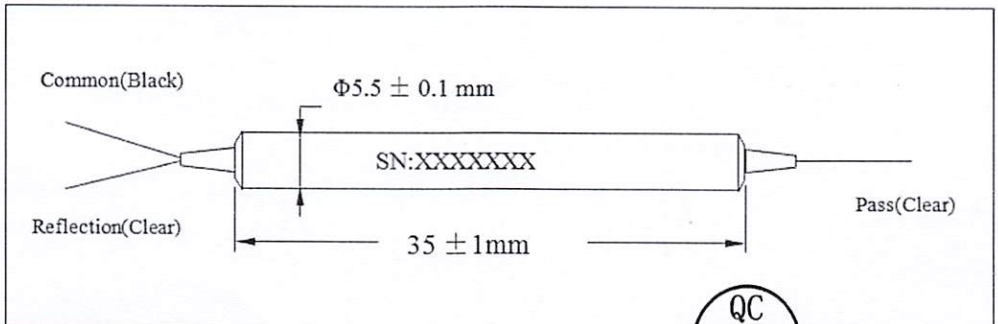
Description: Filter WDM

Part Number: FWDM-5598-0000-1-1-1-0

S/N: L8205530

Parameters	Unit	Specification	Test Data
Pass Band Wavelength Range	nm	1520-1600	1520-1600
Insertion Loss for Pass Channel	dB	≤1.10	0.40
Reflection Band Wavelength Range	nm	960-990	960-990
Insertion Loss for Reflection Channel	dB	≤0.90	0.45
Isolation for Pass Channel	dB	≥25	36
Isolation for Reflection Channel	dB	≥13	25
PDL	dB	≤0.10	0.03
Return Loss	dB	≥45	49
Directivity	dB	≥55	56
Connector Type		FC/APC	
Fiber Type		Reflection/Common:HI1060,Pass:SMF-28e	
Pigtail Type		250um bare fiber	
Fiber Length	m	1.0	
Power Handling	mW	≤500	
Operating Temperature	°C	0 to +70	
Storage Temperature	°C	-40 to +85	
Package Dimension	mm	5.5×35	

Package Dimensions:



Tested by: 007

Date: 2021-07-19