

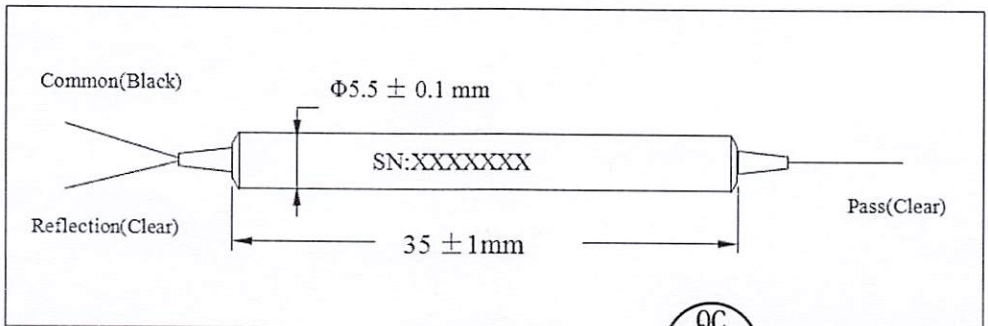
Description: Filter WDM

Part Number: FWDM-1X2-T980/R1064-250-4-1-5.5X35-FA

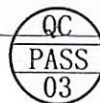
S/N: L8205596

Parameters	Unit	Specification	Test Data
Pass Band Wavelength Range	nm	960-990	960-990
Insertion Loss for Pass Channel	dB	≤1.10	0.31
Reflection Band Wavelength Range	nm	1020-1080	1020-1080
Insertion Loss for Reflection Channel	dB	≤0.90	0.34
Isolation for Pass Channel	dB	≥25	35
Isolation for Reflection Channel	dB	≥13	22
PDL	dB	≤0.10	0.02
Return Loss	dB	≥45	53
Directivity	dB	≥55	57
Connector Type		FC/APC	
Fiber Type		HI1060	
Pigtail Type		250um bare fiber	
Fiber Length	m	1.0	
Power Handling	mW	≤500	
Operating Temperature	°C	0 to +70	
Storage Temperature	°C	-40 to +85	
Package Dimension	mm	5.5×35	

Package Dimensions:



Tested by: 007



Date: 2021-07-20

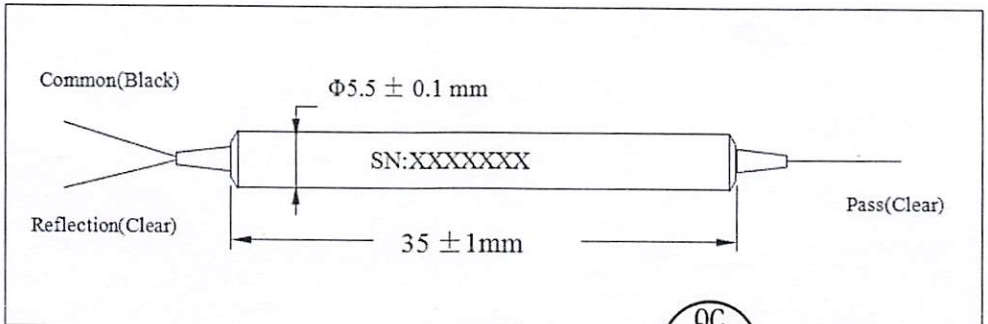
Description: Filter WDM

Part Number: FWDM-1X2-T980/R1064-250-4-1-5.5X35-FA

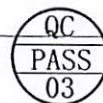
S/N: L8205576

Parameters	Unit	Specification	Test Data
Pass Band Wavelength Range	nm	960-990	960-990
Insertion Loss for Pass Channel	dB	≤1.10	0.37
Reflection Band Wavelength Range	nm	1020-1080	1020-1080
Insertion Loss for Reflection Channel	dB	≤0.90	0.37
Isolation for Pass Channel	dB	≥25	33
Isolation for Reflection Channel	dB	≥13	19
PDL	dB	≤0.10	0.02
Return Loss	dB	≥45	51
Directivity	dB	≥55	56
Connector Type		FC/APC	
Fiber Type		HI1060	
Pigtail Type		250um bare fiber	
Fiber Length	m	1.0	
Power Handling	mW	≤500	
Operating Temperature	°C	0 to +70	
Storage Temperature	°C	-40 to +85	
Package Dimension	mm	5.5×35	

Package Dimensions:



Tested by: 007



Date: 2021-07-20

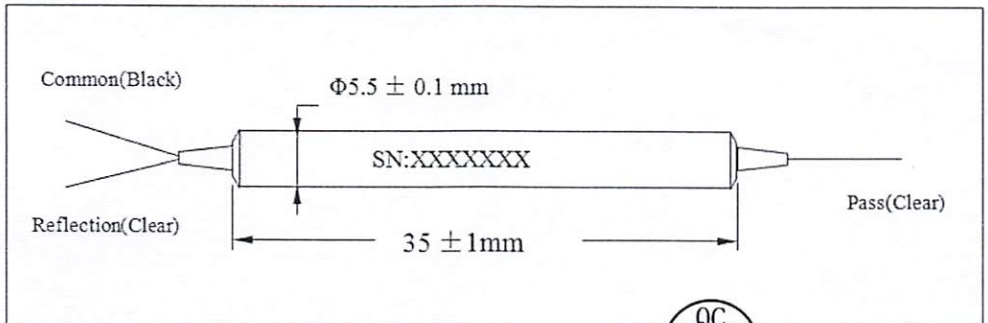
Description: Filter WDM

Part Number: FWDM-1X2-T980/R1064-250-4-1-5.5X35-FA

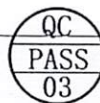
S/N: L8205953

Parameters	Unit	Specification	Test Data
Pass Band Wavelength Range	nm	960-990	960-990
Insertion Loss for Pass Channel	dB	$\leq 1.10$	0.83
Reflection Band Wavelength Range	nm	1020-1080	1020-1080
Insertion Loss for Reflection Channel	dB	$\leq 0.90$	0.26
Isolation for Pass Channel	dB	$\geq 25$	35
Isolation for Reflection Channel	dB	$\geq 13$	20
PDL	dB	$\leq 0.10$	0.01
Return Loss	dB	$\geq 45$	51
Directivity	dB	$\geq 55$	57
Connector Type		FC/APC	
Fiber Type		HI1060	
Pigtail Type		250um bare fiber	
Fiber Length	m	1.0	
Power Handling	mW	$\leq 500$	
Operating Temperature	°C	0 to +70	
Storage Temperature	°C	-40 to +85	
Package Dimension	mm	5.5×35	

Package Dimensions:



Tested by: 007



Date: 2021-07-20

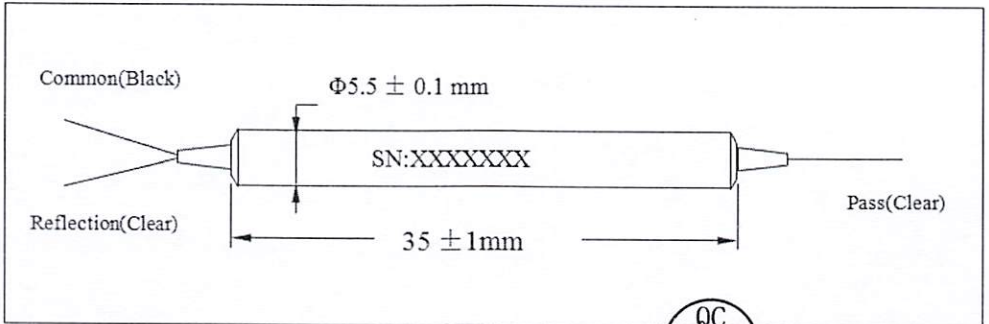
Description: Filter WDM

Part Number: FWDM-1X2-T980/R1064-250-4-1-5.5X35-FA

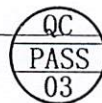
S/N: L8205883

Parameters	Unit	Specification	Test Data
Pass Band Wavelength Range	nm	960-990	960-990
Insertion Loss for Pass Channel	dB	$\leq 1.10$	0.34
Reflection Band Wavelength Range	nm	1020-1080	1020-1080
Insertion Loss for Reflection Channel	dB	$\leq 0.90$	0.35
Isolation for Pass Channel	dB	$\geq 25$	36
Isolation for Reflection Channel	dB	$\geq 13$	19
PDL	dB	$\leq 0.10$	0.03
Return Loss	dB	$\geq 45$	51
Directivity	dB	$\geq 55$	59
Connector Type		FC/APC	
Fiber Type		HI1060	
Pigtail Type		250um bare fiber	
Fiber Length	m	1.0	
Power Handling	mW	$\leq 500$	
Operating Temperature	°C	0 to +70	
Storage Temperature	°C	-40 to +85	
Package Dimension	mm	5.5×35	

Package Dimensions:



Tested by: 007



Date: 2021-07-20

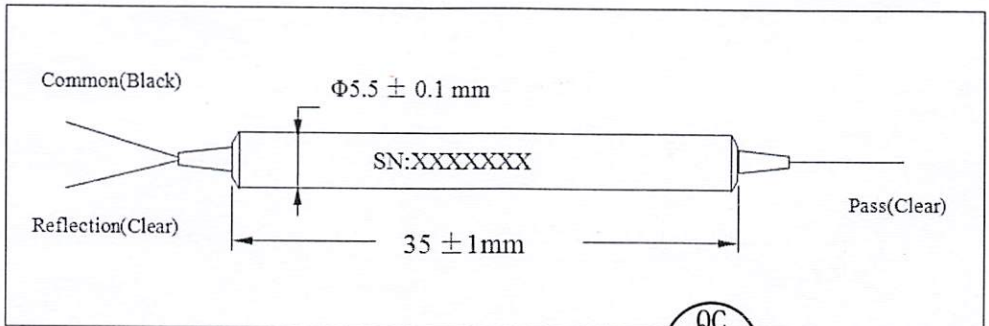
Description: Filter WDM

Part Number: FWDM-1X2-T980/R1064-250-4-1-5.5X35-FA

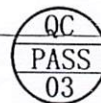
S/N: L8205708

Parameters	Unit	Specification	Test Data
Pass Band Wavelength Range	nm	960-990	960-990
Insertion Loss for Pass Channel	dB	≤1.10	0.38
Reflection Band Wavelength Range	nm	1020-1080	1020-1080
Insertion Loss for Reflection Channel	dB	≤0.90	0.20
Isolation for Pass Channel	dB	≥25	34
Isolation for Reflection Channel	dB	≥13	21
PDL	dB	≤0.10	0.01
Return Loss	dB	≥45	51
Directivity	dB	≥55	58
Connector Type		FC/APC	
Fiber Type		HI1060	
Pigtail Type		250um bare fiber	
Fiber Length	m	1.0	
Power Handling	mW	≤500	
Operating Temperature	℃	0 to +70	
Storage Temperature	℃	-40 to +85	
Package Dimension	mm	5.5×35	

Package Dimensions:



Tested by: 007



Date: 2021-07-20