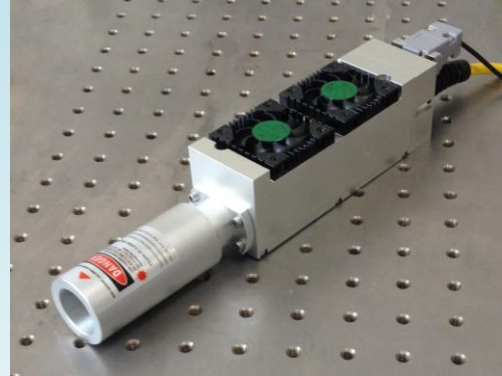




FL-1064nm & FL-532nm Series for Laser Marking

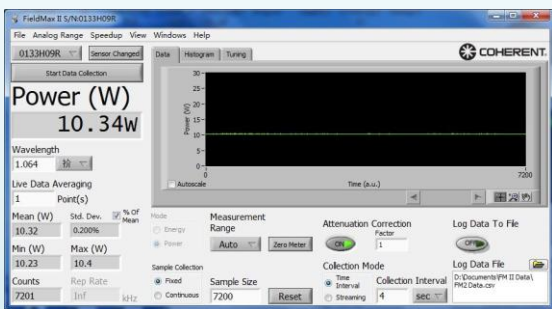
FL-1064nm & FL-532 series lasers combined DPSS and fiber technology, with features of high peak power, high repetition rate and short pulse duration, are widely used in laser marking, engraving on the jewelry, metal, steel, IC, food, plastics and also in scientific research. Smaller volume, can be combined with any fiber laser mechanical structure.



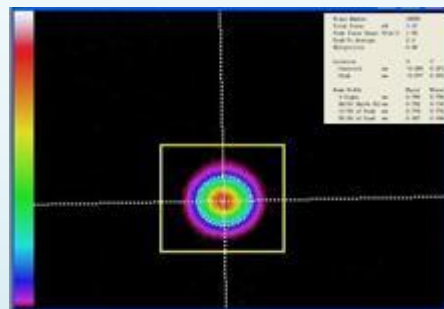
◆ Specifications

Wavelength (nm)	1064±1 (Q-switched)			532±1 (Q-switched)	
Average power (W)	>3	>6	>8	>1.5	>3
Pulse duration (ns)	~5	~8	~6	~5	
Peak power (kW)	~30		~50	~15	~30
Rep. rate (kHz)	~20		~25	~20	
Power stability (RMS/8h)	<1%, <3%				
Beam divergence, full angle (mrad)	<1.5	<2	<1.2	<2	
Beam diameter at the aperture (1/e ² ,mm)	~6.0		~7.0	~6.0	
Operating temperature (°C)	10-35				
Expected lifetime (hours)	20000				
Warranty period (year)	1				

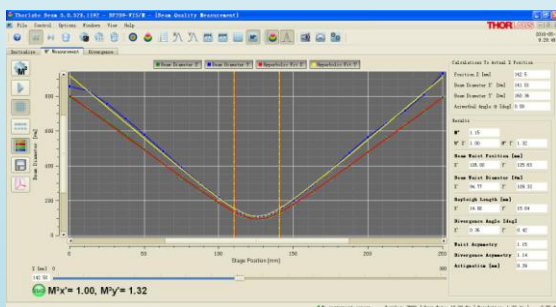
◆ Features of FL series laser



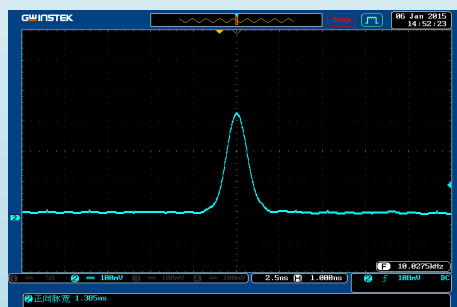
8h output power stability: 0.20%



Beam profile(TEM₀₀)



M²: 1.15



Laser pulse: 5.6ns



Changchun New Industries Optoelectronics Tech. Co., Ltd

Tel: +86-431-85603799

Fax: +86-431-87025016

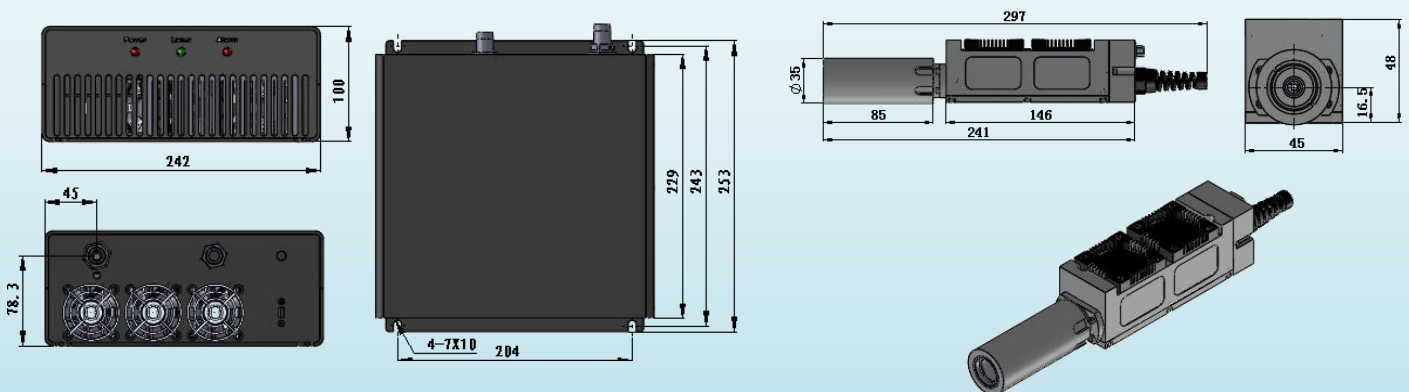
Website: www.cnilaser.net

E-mail: sales@cnilaser.com

◆ Marking sample



◆ Dimensions of laser head and power supply (mm):



CNI LASER: Complete solution for laser Technology!

Founded in 1996, CNI (CHANGCHUN NEW INDUSTRIES), is the leading supplier of lasers, spectrometers, power meters and optical systems in China. CNI products are ISO-9001, CE, RoHS certified. CNI offers a diverse of products for