



FL-SC-OEM/200mW

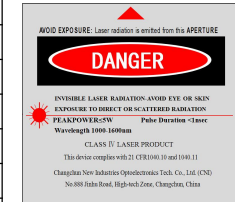
ALL FIBER SUPERCONTINUUM  
SOURCE LASER

Supercontinuum laser can cover the spectral output range from 470nm to 2400nm. It has the advantages of high stability, good beam quality, narrow pulse width and compact structure, which can be widely used in fiber component characterization, fiber sensing, broadband spectroscopy, fluorescence spectroscopy, scientific research, etc.

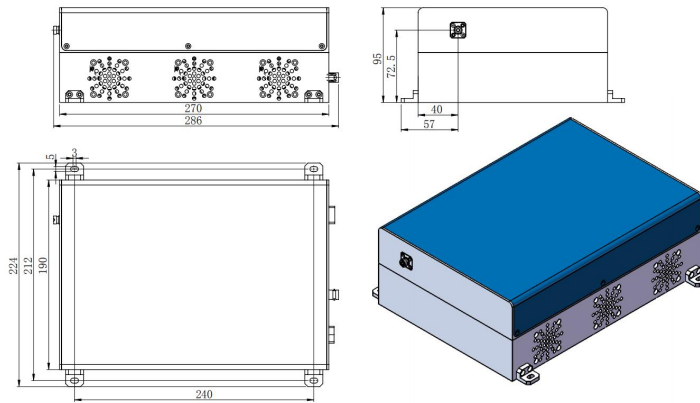


SPECIFICATIONS

Wavelength (nm)	470nm-2400nm
Operating mode	Pulsed
Output power (mW)	200
Power stability (rms, over 4 hours)	<2%, <1%
Pulse width (ps)	~350ps
M <sup>2</sup> factor	<1.1
Repetition frequency (MHz)	2MHz
Polarization ratio	Random
Warm-up time (minutes)	<15
Output	Single mode fiber with FC
Delivery cable length (m)	1m~2m
Operating temperature (°C)	15~35
Power supply	12V DC
Expected lifetime (hours)	10000
Warranty	1 year



FL-SC-OEM



286(L)×190(W)×95(H) mm<sup>3</sup> 4kg

