
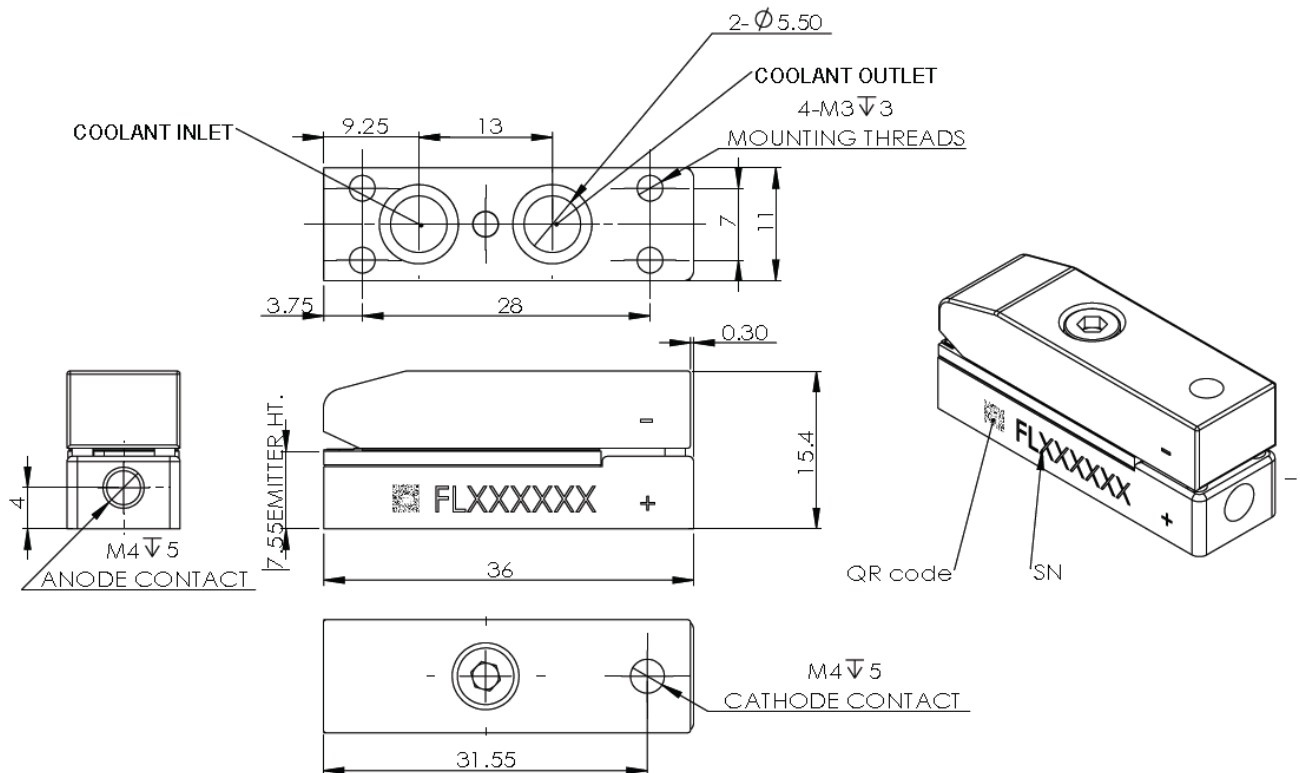


Micro-Channel Water Cooled Single Bar Diode Laser MCC09 Series

	<p>Features</p> <ul style="list-style-type: none"> • Long lifetime • Low smile • High power • Narrow spectrum 	<p>Applications</p> <ul style="list-style-type: none"> • Pumping • Medical • Scientific research
---	--	--

Product Dimensions (mm)



Remark: The structure drawing is for reference only. Please feel free to contact us for any special requirements.

Product Specifications

Product Code	(Typical Customizations)			
Part No. ¹	FL-MCC09-100-808	FL-MCC09-120-940	FL-MCC09-500-808(Q)	FL-MCC09-500-940(Q)

General Data	Unit	Value			
Operation Mode	-	CW	CW	QCW	QCW

Optical Data ²					
Centroid Wavelength	nm	808	940	808	940
Wavelength Tolerance	nm	± 3	± 5	± 3	± 5
Output Power	W	100	120	500	500
Spectral Width FWHM	nm	≤ 3	≤ 3	≤ 4	≤ 5
Spectral Width 90% Energy	nm	≤ 6	≤ 6	≤ 6	≤ 8
Pulse Width	μs	NA	NA	200	600
Duty Cycle	%	NA	NA	≤ 8	≤ 8
Fast Axis Divergence (FWHM) ³	°	35 (typical)	45 (typical)	35 (typical)	45 (typical)
Slow Axis Divergence (FWHM)	°	8 (typical)	10 (typical)	8 (typical)	10 (typical)
Polarization Mode	-	TE	TE	TE	TE
Wavelength Temp. Coefficient	nm / °C	~ 0.28	~ 0.34	~ 0.28	~ 0.34

Electrical Data					
Operation Current	A	≤ 100	≤ 120	≤ 450	≤ 450
Threshold Current	A	≤ 30	≤ 35	≤ 30	≤ 35
Operating Voltage per Bar	V	≤ 2	≤ 2	≤ 2.2	≤ 2
Slope Efficiency per Bar	W / A	≥ 1.1	≥ 1.1	≥ 1.1	≥ 1.1
Power Conversion Efficiency	%	≥ 50	≥ 55	≥ 50	≥ 55

Thermal Data					
Operating Temperature ⁴	°C	20~30	20~30	20~30	20~30
Storage Temperature ⁵	°C	0~55	0~55	0~55	0~55

¹ Part No. = Brand Code - Series - Power - Centroid Wavelength(- Collimation) (QCW Mode).

² Data at 25°C temperature, unless otherwise stated.

³ Optional with fast axis collimation: Divergence ≤ 0.5°.

⁴ Reduced lifetime if used above nominal operating conditions.

⁵ A non-condensing environment is required for storage and operation below ambient dew level.

