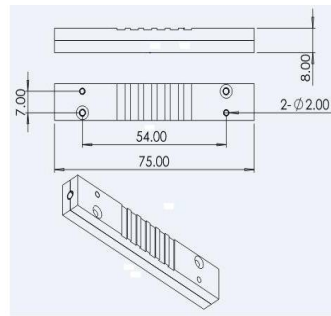
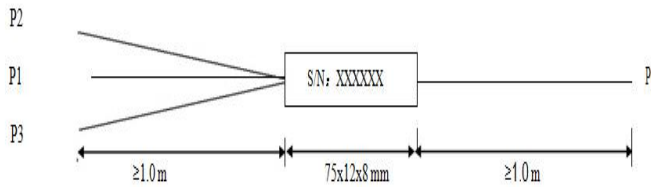




Multimode Fiber Signal Pump Combiner

Type	Working WL (nm)	Input pump	Input signal	Output fiber	Signal IL	Pump Effi.	Per Pump Power(W)	PER (dB)
(2+1)x1	1060	105/125 0.22	HI1060 or 6/125 0.14/0.46	x/125 DCF (x=6,10, 20um,25um)	0.5dB	90%	20	
(2+1)x1	1550	105/125 0.22	SMF-28 or 8/125 0.14/0.46	8/125 0.14/0.46 DC	0.5dB	90%	20	
(2+1)x1	1060	105/125 0.22	x/125 DCF (x=10, 20um etc.)	x/125 DCF (x=10, 20um etc.)	0.5dB	90%	20	
PM (2+1)x1	1060	105/125 0.22	PM 980nm or PM 6/125 0.14/0.46	PM x/125 DCF (x=6, 10, 20, 25um)	0.5dB	90%	20	>18dB
PM (2+1)x1	1060	105/125 0.22	PM x/125 DCF (x=6, 10, 20, 25um)	PM x/125 DCF (x=6, 10, 20, 25um)	0.5dB	90%	20	>18dB



Order Information :

MPC	Port	Pump Fiber	Signal Input	Output fiber	Length	Package
	(2+1) x1	22=105/125 NA	1=SMF-28e	8DC=8/125DC	1=1m	1=OD4x65mm
		15=105/125 NA	2=HI1060	10DC=10/125 DC	X=other	2=Aluminium box
			3=8/125 DC			
			4=6/125 DC			
			5=10/125 DC			
			X=Other			