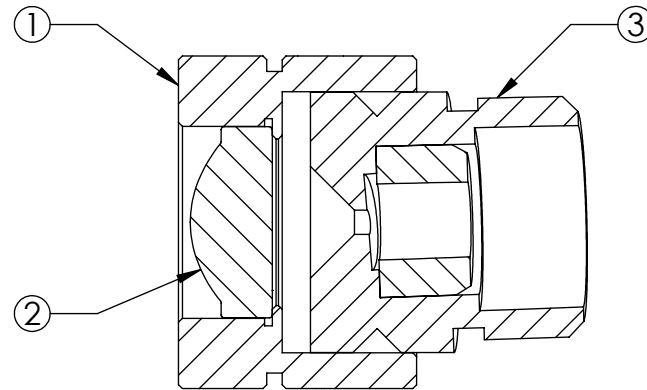
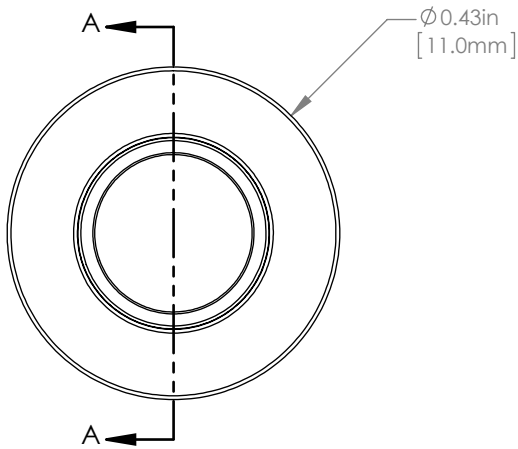
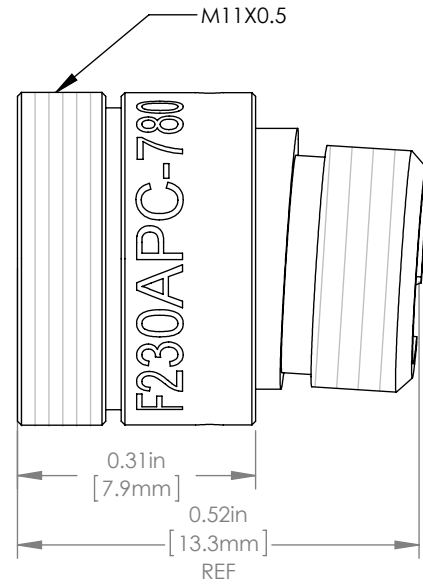


ITEM	DESCRIPTION
① HOUSING	303 STAINLESS STEEL HOUSING
② $\phi 6.3\text{mm}$ , $f=4.51\text{mm}$ LENS	MOLDED ASPHERE
③ APC ADAPTER	303 STAINLESS STEEL FIBER ADAPTER

DESIGN WAVELENGTH	780 nm
DESIGN MFD	4.6 $\mu\text{m}$
OUTPUT $1/e^2$ BEAM DIAMETER	0.98 mm
FULL ANGLE BEAM DIVERGENCE	$0.06^{\pm 0.01}_{-0.00}$
AR COATING	$R_{\text{avg}} < 0.5\%$ FROM 650-1050nm



SECTION A-A

**Kokyo**

株式会社光響  
 Email : info@symphotony.com  
 Web : https://www.symphotony.com/

THORLABS FIBER COLLIMATION PACKAGES ARE DESIGNED TO COLLIMATE A LASER BEAM PROPAGATING OUT THE END OF AN OPTICAL FIBER. EACH COLLIMATION PACKAGE IS FACTORY ALIGNED SO THAT THE BEST POSSIBLE DIVERGENCE IS ACHIEVED.

FOR INFORMATION ONLY  
 NOT FOR MANUFACTURING PURPOSES

DRAWING PROJECTION				<b>THORLABS</b> www.thorlabs.com	
NAME	DATE	$\lambda=780\text{nm}$ APC COLLIMATION PACKAGE, $NA=0.55$ , $f=4.51\text{mm}$		MATERIAL SEE TABLE REV A	
DRAWN	01/SEP/14	APPROVAL WD 15/SEP/14		ITEM # F230APC-780 APPROX WEIGHT 8 g	
COPYRIGHT © 2014 BY THORLABS		VALUES IN PARENTHESIS ARE CALCULATED AND MAY CONTAIN ROUND OFF ERRORS			