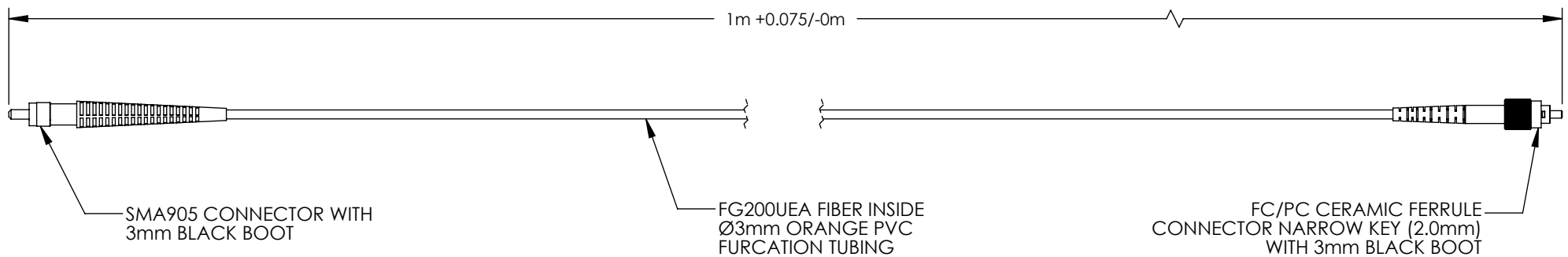


FIBER SPECIFICATIONS*					
ITEM #	CORE DIAMETER	CLADDING DIAMETER	COATING DIAMETER	NA	WAVELENGTH RANGE
FG200UEA	200 ±4 μm	220 ±2 μm	320 ±16 μm	0.22 ± 0.02	250 to 1200 nm

*SPECIFICATIONS BASED ON BARE FIBER DATA



Kokyo

株式会社光響
 Email : info@symphotony.com
 Web : https://www.symphotony.com/

- INCLUDED BUT NOT SHOWN:
- 1 RUBBER SMA DUST CAP
 - 1 PLASTIC DUST CAP

FOR INFORMATION ONLY
 NOT FOR MANUFACTURING PURPOSES

DRAWING PROJECTION			THORLABS www.thorlabs.com	
NAME	DATE	1m, 200 μm 0.22 NA SMA TO FC/PC CABLE		
DRAWN	26/NOV/13	MATERIAL	N/A	REV E
APPROVAL	19/APR/22	ITEM #	M91L01	APPROX WEIGHT
COPYRIGHT © 2019 BY THORLABS				0.02 kg
VALUES IN PARENTHESIS ARE CALCULATED AND MAY CONTAIN ROUND OFF ERRORS				