

Erbium-doped Fiber Amplifier (EDFA)

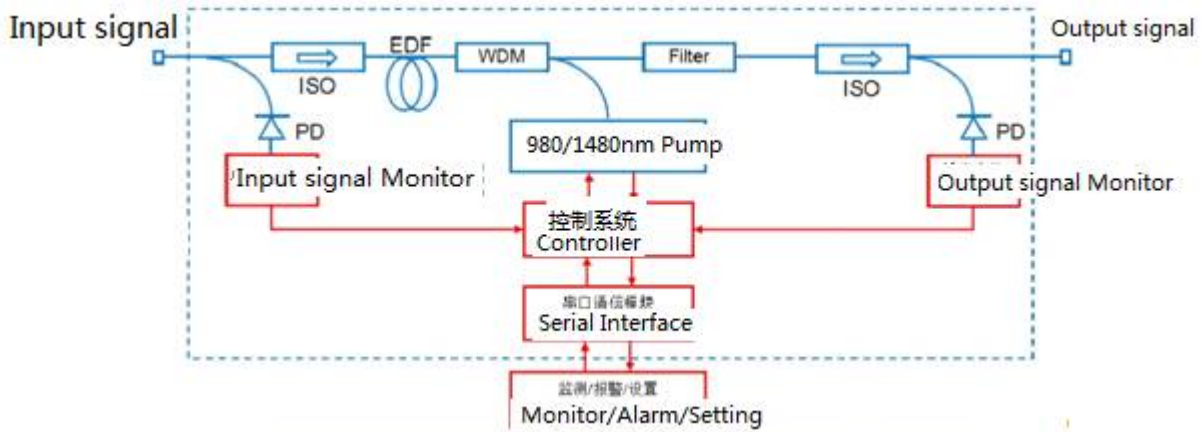
Features	
High Gain, Low Noise	
Application	
Fiber Communication Fiber Sensing Fiber Laser	

Specifications

Parameter	Unit	Min	Typ.	Max.	Note
Wavelength Range	nm	1530	1550	1565	C band
EDFA-PA (Pre-Amplifier)	Input power	-45	-30	-25	
	Output power	-10		10	
	Gain	35			
EDFA-BA (Booster-Amplifier)	Input power	-6		3	
	Output power	10		27	
Noise	dB			5.5	
Flatness	dB		3		
PDG	dB			0.5	
Input/output ISO	dB	40			
Working temp.	° C	-20		+65	
Humidity Range	%		70		
Connector type		FC/APC			
Supply Electronic		DC 5V or AC 220V			
Package Dimensions	mm	90x70x15			
Communication Port		DB9 Female (RS232)			
Mode		ACC/APC			

Pre-Amplifier(PA): -40 ~-25dBm range signal Amplification , typ gain 35dB

Booster Amplifier (BA):-6 +3dBm range signal amplification, max output power is reach 27dBm





Module A (90×70×15mm)



Module B、C (150×125×20mm、150×125×30mm) ↵

P

Ordering Information:

EDFA -PA	Gain	Wavelength	Pigtail Type	Fiber Type	Length	Connector	Package
	35 45	00=Non filter C34=155 0.12nm	1=900um loose tube	1=SMF-2 8e	1=1m 2=2m S=Specit y	NE=None FA=FC/AP C FC=FC/UP C XX=Other	A=90x17x15
EDFA -BA	Output power						B=150x125x2 0
	15=15dBm 20=20dBm 23=23dBm 27=27dBm						C=150x125x3 0