

## Cladding Power Stripper (CPS)

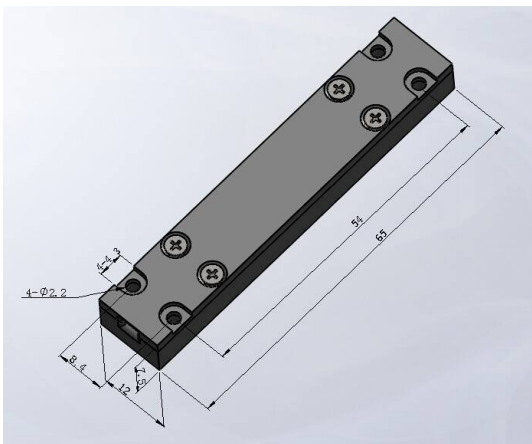
<b>Features</b>	
Epoxy Free stripping, High stripping efficiency High handling Capability	
<b>Application</b>	
Fiber Laser High Power Fiber Amplifier	

### Specifications

Fiber	Working Wavelength (nm)	Insertion Loss (dB)	PER (dB)	Min. Stripe Efficiency	Power (W)
A/125DC	1064nm or 1550nm	0.2		20dB (>99%)	50
A/250DC	1064nm	0.2			
A/300DC	1550	0.2			
PM A/125 DC	1064nm or 1550nm	0.2	>18		
PM A/250 DC	1064nm		>18		
PM A/300 DC	1550		>18		

**\*A means difference fiber core size, fiber core 6um, 8um, 10um, 12um, 15um, 25um, 30um**

### Package Dimensions (mm)



### Ordering Information

CPS	Wavelength	Fiber	Pigtail	Length	Power
	1550 1064	Pls write fiber core/Cladding	0=bare fiber	0.5=0.5M 0.8=0.8M 1=1m S=Specify	50=50W