

1x2 Optical Switch

Features	
Low Insertion Loss High crosstalk Compact package	
Application	
OXC, OLP, ROADM Wavelength switch of testing system Channel switch of optic sensor system	

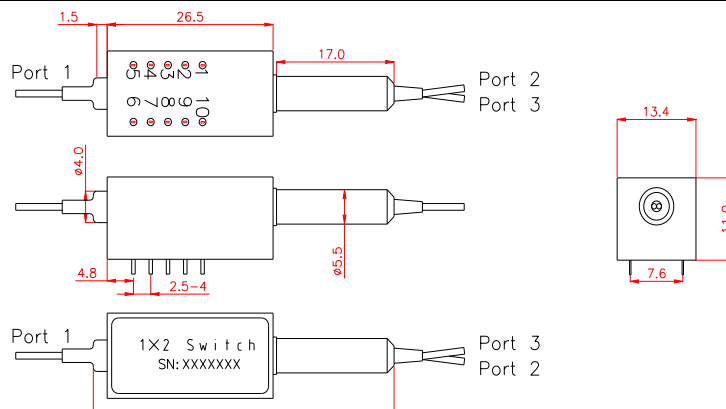
Specifications

Parameter	Value				
Port Type	1x1, 1x2				
Fiber Mode	SM Fiber			MM Fiber	
Wavelength (nm)	1310 or 1550	1310/1550	1064	850	850 or 1310
Insertion Loss (dB)	≤0.5(Typ 0.4)	≤0.7(Typ 0.5)	≤0.7(Typ 0.5)	≤0.9(Typ 0.7)	≤0.8(Typ 0.6)
Cross Talk (dB)	≥55	≥55	≥55	≥55	≥45
Return Loss (dB)	≥55	≥55	≥55	≥55	≥30
Repeatability (dB)	±0.05				
Switch Time (ms)	10				
Lifetime (cycle)	>1,000,000				
Switch mode	Latching or Non-latching				
Operating Temperature (°C)	-15 ~ +70				
Storage Temperature (°C)	-40 ~ +85				
Drive Voltage (V)	5 ±0.5 DC or 5V Pulse				
Work Current (mA)	< 50				
Fiber Type	SMF-28e	HI1060	HI780	50/125 or 62.5/125	
Dimension (LxMxH) (mm)	(L)26.5×(W)13.4×(H)11				

Electrical Drive

Optical Path	Electrical Drive		Status Sensor					
	Pin1	Pin10	Pin5	Pin6	Pin2-3	Pin3-4	Pin7-8	Pin8-9
1-2	+V Pulse	GND	N/A	N/A	open	close	close	open
1-3	GND	+V Pulse	N/A	N/A	close	open	open	close

Package Dimension



Ordering Information

OSW	Type	Wavelength	Mode	Pigtail Type	Fiber Type	Length	Connector
	1x1 1x2	85=850nm 13=1310nm 15=1550nm 1315=1310/1550	L=Latching N=Non-Latching	0=250um bare fiber 1=900um loose tube	1=SMF-28e 2=50/125 3=62.5/125 4=HI1060 7=HI780	1= 1m	NE=None FA=FC/APC FC=FC/UPC SA=SC/APC xx: other